

DATA SHEET

CROSS-REDUCER

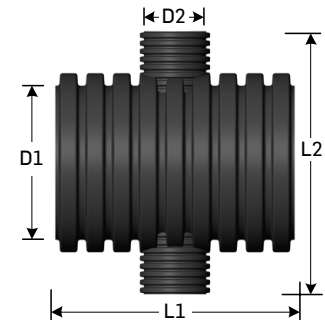
PRODUCT DESCRIPTION: Factory-made cross-reducer

FUNCTION: Junction between four connections (two different diameters)

MANUFACTURING STANDARDS: *100 mm (4 in) to 900 mm (36 in) diameter pipes:*
Made from pipes that meet standards BNQ 3634-120 (R320). On special order, made from pipes that meet standards CSA B182.8, AASHTO M252 or AASTHO M294
1050 mm (42 po) to 1200 mm (48 po) diameter pipes:
Made from pipes that meet standards CSA B182.8 and AASHTO M294

RAW MATERIALS: Made of high density polyethylene (HDPE) ASTM D3350

AVAILABLE FITTINGS: Fits any Solflo Max fitting



TECHNICAL DATA TABLE

| Diameter D1 | | Diameter D2 | | Length L1 | | Length L2 | | No connector | Soil tight connectors HDPE | | | | Watertight connectors HDPE | | | |
|-------------|----|-------------|----|-----------|-------|-----------|-------|--------------|----------------------------|-----|-----|----|----------------------------|----|------|-------|
| mm | in | mm | in | mm | in | mm | in | PE | BC | DBS | DBC | SC | BIGC | BG | DBIG | DBIGC |
| 150 | 6 | 100 | 4 | 337 | 13.27 | 349 | 13.74 | X | | X | | X | | | | X |
| 200 | 8 | 100 | 4 | 381 | 15.00 | 409 | 16.10 | X | | X | | X | | | | X |
| 200 | 8 | 150 | 6 | 432 | 17.00 | 444 | 17.48 | X | | X | | X | | | | X |
| 250 | 10 | 100 | 4 | 466 | 18.35 | 471 | 18.54 | X | | X | | X | | | | X |
| 250 | 10 | 150 | 6 | 532 | 20.94 | 505 | 19.88 | X | | X | | X | | | | X |
| 250 | 10 | 200 | 8 | 599 | 23.58 | 564 | 22.20 | X | | X | | X | | | | X |
| 300 | 12 | 100 | 4 | 650 | 25.59 | 537 | 21.14 | X | | X | X | X | | | X | X |
| 300 | 12 | 150 | 6 | 701 | 27.60 | 572 | 22.52 | X | | X | X | X | | | X | X |
| 300 | 12 | 200 | 8 | 751 | 29.57 | 630 | 24.80 | X | | X | X | X | | | X | X |
| 300 | 12 | 250 | 10 | 801 | 31.54 | 713 | 28.07 | X | | X | X | X | | | X | X |
| 375 | 15 | 100 | 4 | 532 | 20.94 | 623 | 24.53 | X | X | X | | X | X | | X | |
| 375 | 15 | 150 | 6 | 599 | 23.58 | 657 | 25.87 | X | X | X | | X | X | | X | |
| 375 | 15 | 200 | 8 | 665 | 26.18 | 716 | 28.19 | X | X | X | | X | X | | X | |
| 375 | 15 | 250 | 10 | 732 | 28.82 | 799 | 31.46 | X | X | X | | X | X | | X | |
| 375 | 15 | 300 | 12 | 799 | 31.46 | 975 | 38.39 | X | X | | X | X | X | | | X |
| 450 | 18 | 100 | 4 | 543 | 21.38 | 716 | 28.19 | X | X | X | | X | X | | X | |
| 450 | 18 | 150 | 6 | 610 | 24.02 | 751 | 29.57 | X | X | X | | X | X | | X | |
| 450 | 18 | 200 | 8 | 678 | 26.69 | 810 | 31.89 | X | X | X | | X | X | | X | |
| 450 | 18 | 250 | 10 | 746 | 29.37 | 892 | 35.12 | X | X | X | | X | X | | X | |
| 450 | 18 | 300 | 12 | 814 | 32.05 | 1068 | 42.05 | X | X | | X | X | X | | | X |
| 450 | 18 | 375 | 15 | 882 | 34.72 | 976 | 38.43 | X | X | | | X | X | | | |
| 525 | 21 | 100 | 4 | 606 | 23.86 | 814 | 32.05 | X | X | X | | X | X | | X | |
| 525 | 21 | 150 | 6 | 681 | 26.81 | 848 | 33.39 | X | X | X | | X | X | | X | |
| 525 | 21 | 200 | 8 | 757 | 29.80 | 907 | 35.71 | X | X | X | | X | X | | X | |
| 525 | 21 | 250 | 10 | 757 | 29.80 | 990 | 38.98 | X | X | X | | X | X | | X | |
| 525 | 21 | 300 | 12 | 833 | 32.80 | 1166 | 45.91 | X | X | | X | X | X | | | X |
| 525 | 21 | 375 | 15 | 908 | 25.75 | 1073 | 42.24 | X | X | | | X | X | | | |
| 525 | 21 | 450 | 18 | 1060 | 41.73 | 1081 | 42.56 | X | X | | | X | X | | | |
| 600 | 24 | 100 | 4 | 803 | 31.61 | 896 | 35.28 | X | X | X | | X | X | | X | |
| 600 | 24 | 150 | 6 | 803 | 31.61 | 930 | 36.61 | X | X | X | | X | X | | X | |

DATA SHEET

CROSS-REDUCER (CONT'D)

TECHNICAL DATA TABLE (CONT'D)

| Diameter D1 | | Diameter D2 | | Length L1 | | Length L2 | | No connector | Soil tight connectors HDPE | | | | | Watertight connectors HDPE | | | |
|-------------|----|-------------|----|-----------|-------|-----------|-------|--------------|----------------------------|-----|-----|----|------|----------------------------|------|-------|--|
| mm | in | mm | in | mm | in | mm | in | PE | BC | DBS | DBC | SC | BIGC | BG | DBIG | DBIGC | |
| 600 | 24 | 200 | 8 | 903 | 35.55 | 989 | 38.94 | X | X | | | X | X | | | | |
| 600 | 24 | 250 | 10 | 903 | 35.55 | 1072 | 42.20 | X | X | | | X | X | | | | |
| 600 | 24 | 300 | 12 | 1003 | 39.49 | 1248 | 49.13 | X | X | | X | X | X | | | X | |
| 600 | 24 | 375 | 15 | 1104 | 43.46 | 1155 | 45.47 | X | X | | | X | X | | | | |
| 600 | 24 | 450 | 18 | 1204 | 47.40 | 1163 | 45.79 | X | X | | | X | X | | | | |
| 600 | 24 | 525 | 21 | 1304 | 51.34 | 1214 | 47.80 | X | X | | | X | X | | | | |
| 750 | 30 | 100 | 4 | 801 | 31.54 | 1063 | 41.85 | X | X | X | | X | X | | X | | |
| 750 | 30 | 150 | 6 | 801 | 31.54 | 1098 | 43.23 | X | X | X | | X | X | | X | | |
| 750 | 30 | 200 | 8 | 901 | 35.47 | 1156 | 45.51 | X | X | X | | X | X | | X | | |
| 750 | 30 | 250 | 10 | 901 | 35.47 | 1239 | 48.78 | X | X | X | | X | X | | X | | |
| 750 | 30 | 300 | 12 | 1001 | 39.41 | 1415 | 55.71 | X | X | | X | X | X | | | X | |
| 750 | 30 | 375 | 15 | 1101 | 43.35 | 1322 | 52.05 | X | X | | | X | X | | | | |
| 750 | 30 | 450 | 18 | 1201 | 47.28 | 1331 | 52.40 | X | X | | | X | X | | | | |
| 750 | 30 | 525 | 21 | 1301 | 51.22 | 1382 | 54.41 | X | X | | | X | X | | | | |
| 750 | 30 | 600 | 24 | 1401 | 55.16 | 1542 | 60.71 | X | X | | | X | X | | | | |
| 900 | 36 | 100 | 4 | 813 | 32.01 | 1220 | 48.03 | X | X | X | | X | X | | X | | |
| 900 | 36 | 150 | 6 | 813 | 32.01 | 1255 | 49.41 | X | X | X | | X | X | | X | | |
| 900 | 36 | 200 | 8 | 914 | 35.98 | 1313 | 51.69 | X | X | X | | X | X | | X | | |
| 900 | 36 | 250 | 10 | 914 | 35.98 | 1396 | 54.96 | X | X | X | | X | X | | X | | |
| 900 | 36 | 300 | 12 | 1016 | 40.00 | 1572 | 61.89 | X | X | | X | X | X | | | X | |
| 900 | 36 | 375 | 15 | 1118 | 44.02 | 1479 | 58.23 | X | X | | | X | X | | | | |
| 900 | 36 | 450 | 18 | 1219 | 47.99 | 1487 | 58.54 | X | X | | | X | X | | | | |
| 900 | 36 | 525 | 21 | 1321 | 52.01 | 1538 | 60.55 | X | X | | | X | X | | | | |
| 900 | 36 | 600 | 24 | 1422 | 55.98 | 1699 | 66.89 | X | X | | | X | X | | | | |
| 900 | 36 | 750 | 30 | 1524 | 60.00 | 1697 | 66.81 | X | X | | | X | X | | | | |

Note 1 : Dimensions shown above may vary slightly

Note 2 : For non-standard dimensions (1050 mm and 1200 mm (42 in and 48 in)), contact your Soleno representative.

LEGEND

PE: plain end

BC: bell with clips

DBS: double bell snap

DBC: double bell with clips

SC: split coupler

BIGC: bell with integrated gasket with clips

BG: O-ring bell gasket

DBIG: double bell with integrated gasket

DBIGC: double bell with integrated gasket with clips

DATA SHEET

CROSS-REDUCER (CONT'D)

TECHNICAL DATA TABLE - CGPF CROSS-REDUCER

| Diameter D1 | | Diameter D2 | | Length L1 | | Length L2 | | Watertight connectors HDPE |
|-------------|----|-------------|----|-----------|-------|-----------|-------|----------------------------|
| mm | in | mm | in | mm | in | mm | in | DCGI-CGPF |
| 150 | 6 | 100 | 4 | 337 | 13.27 | 217 | 8.54 | X |
| 200 | 8 | 100 | 4 | 381 | 15.00 | 277 | 10.91 | X |
| 200 | 8 | 150 | 6 | 432 | 17.01 | 285 | 11.22 | X |
| 250 | 10 | 100 | 4 | 466 | 18.35 | 339 | 13.35 | X |
| 250 | 10 | 150 | 6 | 532 | 20.94 | 347 | 13.66 | X |
| 250 | 10 | 200 | 8 | 599 | 23.58 | 361 | 14.21 | X |

Note 1 : Dimensions shown above may vary slightly

Note 2 : For non-standard dimensions, contact your Soleno representative.

LEGEND

DBIG: double bell with integrated gasket

CGPF : water tight PVC female