

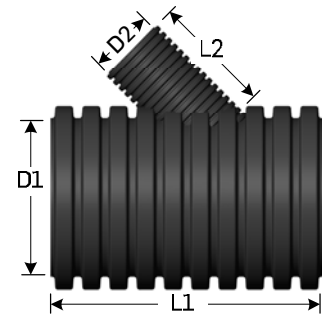
DATA SHEET

WYE (Y) REDUCER

PRODUCT DESCRIPTION: Factory-made wye (y) reducer

FUNCTION: Splits a main line to a secondary line

MANUFACTURING STANDARDS: *100 mm (4 in) to 900 mm (36 in) diameter pipes:*
Made from pipes that meet standards BNQ 3634-120 (R320). On special order, made from pipes that meet standards CSA B182.8, AASHTO M252 or AASTHO M294
1050 mm (42 po) to 1200 mm (48 po) diameter pipes:
Made from pipes that meet standards CSA B182.8 and AASHTO M294



RAW MATERIALS: Made of high density polyethylene (HDPE) ASTM D3350

AVAILABLE FITTINGS: Fits any Solflo Max fitting

TECHNICAL DATA TABLE

Diameter D1		Diameter D2		Length L1		Length L2		No connector	Soil tight connectors HDPE				Watertight connectors HDPE			
mm	in	mm	in	mm	in	mm	in	PE	BC	DBS	DBC	SC	BIGC	BG	DBIG	DBIGC
150	6	100	4	376	14.80	207	8.15	X		X		X				X
200	8	100	4	432	17.01	207	8.15	X		X		X				X
200	8	150	6	508	20.00	280	11.02	X		X		X				X
250	10	100	4	532	20.94	207	8.15	X		X		X				X
250	10	150	6	599	23.58	280	11.02	X		X		X				X
250	10	200	8	699	27.52	369	14.53	X		X		X				X
300	12	100	4	701	27.60	207	8.15	X		X	X	X			X	X
300	12	150	6	751	29.57	280	11.02	X		X	X	X			X	X
300	12	200	8	851	33.50	369	14.53	X		X	X	X			X	X
300	12	250	10	951	37.44	472	18.58	X		X	X	X			X	X
375	15	100	4	599	23.58	207	8.15	X	X	X		X	X		X	
375	15	150	6	665	26.18	280	11.02	X	X	X		X	X		X	
375	15	200	8	799	31.46	369	14.53	X	X	X		X	X		X	
375	15	250	10	865	34.06	472	18.58	X	X	X		X	X		X	
375	15	300	12	932	36.69	627	24.69	X	X		X	X	X			X
450	18	100	4	610	24.02	207	8.15	X	X	X		X	X		X	
450	18	150	6	678	26.69	280	11.02	X	X	X		X	X		X	
450	18	200	8	746	29.37	369	14.53	X	X	X		X	X		X	
450	18	250	10	882	34.72	472	18.58	X	X	X		X	X		X	
450	18	300	12	949	37.36	627	24.69	X	X		X	X	X			X
450	18	375	15	1085	42.72	666	26.22	X	X			X	X			
525	21	100	4	681	26.81	207	8.15	X	X	X		X	X		X	
525	21	150	6	747	29.41	280	11.02	X	X	X		X	X		X	
525	21	200	8	833	32.80	369	14.53	X	X	X		X	X		X	
525	21	250	10	908	35.75	472	18.58	X	X	X		X	X		X	
525	21	300	12	984	38.74	627	24.69	X	X		X	X	X			X
525	21	375	15	1135	44.69	666	26.22	X	X			X	X			
525	21	450	18	1287	50.77	764	30.08	X	X			X	X			
600	24	100	4	803	31.61	207	8.15	X	X	X		X	X		X	
600	24	150	6	903	35.55	280	11.02	X	X	X		X	X		X	

DATA SHEET

WYE (Y) REDUCER (CONT'D)

TECHNICAL DATA TABLE (CONT'D)

Diameter D1		Diameter D2		Length L1		Length L2		No connector	Soil tight connectors HDPE					Watertight connectors HDPE			
mm	in	mm	in	mm	in	mm	in	PE	BC	DBS	DBC	SC	BIGC	BG	DBIG	DBIGC	
600	24	200	8	1003	39.49	369	14.53	X	X			X	X				
600	24	250	10	1104	43.46	472	18.58	X	X			X	X				
600	24	300	12	1204	47.40	627	24.69	X	X		X	X	X			X	
600	24	375	15	1304	51.34	666	26.22	X	X			X	X				
600	24	450	18	1405	55.31	764	30.08	X	X			X	X				
600	24	525	21	1605	63.19	886	34.88	X	X			X	X				
750	30	100	4	801	31.54	207	8.15	X	X	X		X	X		X		
750	30	150	6	901	35.47	280	11.02	X	X	X		X	X		X		
750	30	200	8	1001	39.41	369	14.53	X	X	X		X	X		X		
750	30	250	10	1101	43.35	472	18.58	X	X	X		X	X		X		
750	30	300	12	1201	47.28	627	24.69	X	X		X	X	X			X	
750	30	375	15	1301	51.22	666	26.22	X	X			X	X				
750	30	450	18	1401	55.16	764	30.08	X	X			X	X				
750	30	525	21	1601	63.03	886	34.88	X	X			X	X				
750	30	600	24	1701	66.97	1048	41.26	X	X			X	X				
900	36	100	4	813	32.01	207	8.15	X	X	X		X	X		X		
900	36	150	6	914	35.98	280	11.02	X	X	X		X	X		X		
900	36	200	8	1016	40.00	369	14.53	X	X	X		X	X		X		
900	36	250	10	1118	44.02	472	18.58	X	X	X		X	X		X		
900	36	300	12	1219	47.99	627	24.69	X	X		X	X	X			X	
900	36	375	15	1321	52.01	666	26.22	X	X			X	X				
900	36	450	18	1422	55.98	764	30.08	X	X			X	X				
900	36	525	21	1524	60.00	886	34.88	X	X			X	X				
900	36	600	24	1727	67.99	1048	41.26	X	X			X	X				
900	36	730	30	1930	75.98	1215	47.83	X	X			X	X				

Note 1 : Dimensions shown above may vary slightly

Note 2 : For non-standard dimensions (1050 mm and 1200 mm (42 in and 48 in)), contact your Soleno representative.

LEGEND

PE: plain end
BC: bell with clips
DBS: double bell snap
DBC: double bell with clips

SC: split coupler
BIGC: bell with integrated gasket with clips
BG: O-ring bell gasket

DBIG: double bell with integrated gasket
DBIGC: double bell with integrated gasket with clips

DATA SHEET

WYE (Y) REDUCER (CONT'D)

TECHNICAL DATA TABLE - CGPF WYE (Y) REDUCER

Diameter D1		Diameter D2		Length L1		Length L2		Watertight connectors HDPE
mm	in	mm	in	mm	in	mm	in	DCGI-CGPF
150	6	100	4	376	14.80	141	5.55	X
200	8	100	4	432	17.01	141	5.55	X
200	8	150	6	508	20.00	201	7.91	X
250	10	100	4	532	20.94	141	5.55	X
250	10	150	6	599	23.58	201	7.91	X
250	10	200	8	699	27.52	268	10.55	X

Note 1 : Dimensions shown above may vary slightly

Note 2 : For non-standard dimensions, contact your Soleno representative.

LEGEND

DBIG: double bell with integrated gasket

CGPF : water tight PVC female