

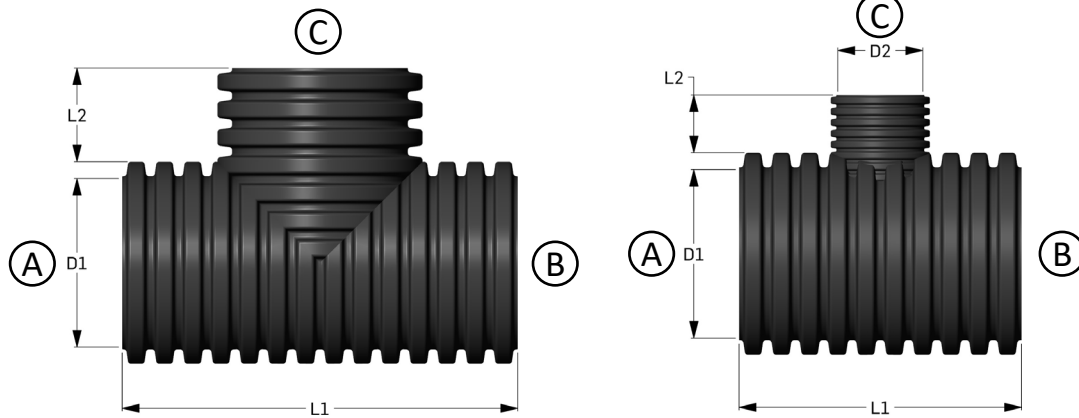
## FABRICATION FORM

**STANDARD OR CUSTOM TEE / REDUCER-TEE OR CORRUGATED MANHOLE/CATCH BASIN-TEE**

PROJECT : \_\_\_\_\_  
 DATE REQUIRED : \_\_\_\_\_  
 CLIENT : \_\_\_\_\_

FOR OFFICE USAGE

ORDER # : \_\_\_\_\_



| Diameter D1     | Diameter D2<br>(if different from D1) | Quantity | Fitting               | Specify lengths  |
|-----------------|---------------------------------------|----------|-----------------------|--|
| 100 mm (4 in)   | 100 mm (4 in)                         | _____    | Side A                | Standard<br>(according to data sheet)  |
| 150 mm (6 in)   | 150 mm (6 in)                         |          | Plain / male end      |  |
| 200 mm (8 in)   | 200 mm (8 in)                         |          | Clip                  | or   |
| 250mm (10 in)   | 250mm (10 in)                         |          | DBIG / BIGC           | L1 : _____ mm  |
| 300 mm (12 in)  | 300 mm (12 in)                        |          | BG (female end)*      |  |
| 375 mm (15 in)  | 375 mm (15 in)                        |          | Side B                | in   |
| 450 mm (18 in)  | 450 mm (18 in)                        |          | Plain / male end      | L2 : _____ mm  |
| 525 mm (21 in)  | 525 mm (21 in)                        |          | Clip                  |  |
| 600 mm (24 in)  | 600 mm (24 in)                        |          | DBIG / BIGC           | in   |
| 750 mm (30 in)  | 750 mm (30 in)                        |          | BG (female end)*      | <div style="border: 1px solid black; padding: 10px; width: fit-content; margin: auto;"> <p style="font-size: 1.2em; font-weight: bold; margin: 0;">APPROVAL</p> </div> |
| 900 mm (36 in)  | 900 mm (36 in)                        |          | Side C                |  |
| 1050 mm (42 in) | 1050 mm (42 in)                       |          | Plain / male end      |  |
| 1200 mm (48 in) | 1200 mm (48 in)                       |          | Clip                  |  |
|                 |                                       |          | DBIG / BIGC           |  |
|                 |                                       |          | BG (female end)*      |  |
|                 |                                       |          | *1050 mm (42 in) only |  |

**FRAMES and COVERS/GRATES**

HDPE Grate

- 300 mm (12 in)
- 375 mm (15 in)
- 450 mm (18 in)



None

Frame an grate in  
S series cast iron

- 300 mm (12 in)
- 375 mm (15 in)
- 450 mm (18 in)
- 600 mm (24 in)
- 750 mm (30 in)
- 900 mm (36 in)



Frame an cover in  
S series cast iron

- 600 mm (24 in)
- 750 mm (30 in)
- 900 mm (36 in)



COMMENTS : \_\_\_\_\_