

# FABRICATION FORM

MANHOLE/CATCH BASIN CHIMNEY TYPE 600 mm (24 in) TO 900 mm (36 in) FOR ROADWAY\* OR NON-ROADWAY USE

PROJECT : \_\_\_\_\_  
 DATE REQUIRED : \_\_\_\_\_  
 CLIENT : \_\_\_\_\_  
 TELEPHONE : \_\_\_\_\_  
 APPROVED BY : \_\_\_\_\_  
 QUANTITY : \_\_\_\_\_  
 MANHOLE NUMBER : \_\_\_\_\_ As on the site plan.

**DIMENSIONS:**

**A) Diameters**

- Chimney : \_\_\_\_\_ mm  po
- Conduit : \_\_\_\_\_ mm  po
- Smooth exterior wall (FOR ROADWAY)
- Corrugated wall (NON-ROADWAY)

**B) Heights**





- H : \_\_\_\_\_ mm  po
- H1 (bottom) : \_\_\_\_\_ mm  po

**C) Lengths**

- L totale : \_\_\_\_\_ mm  po
- L1 : \_\_\_\_\_ mm  po

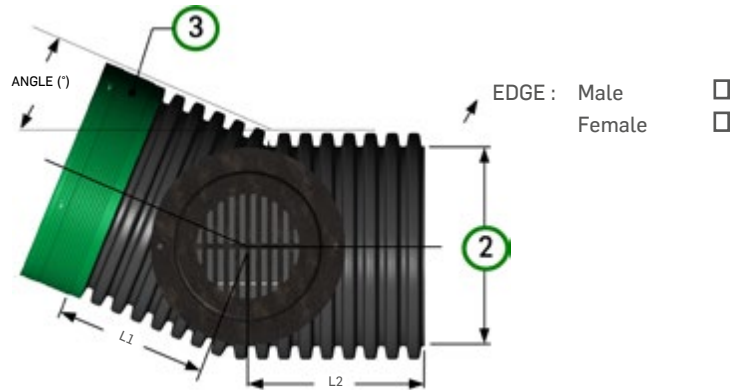
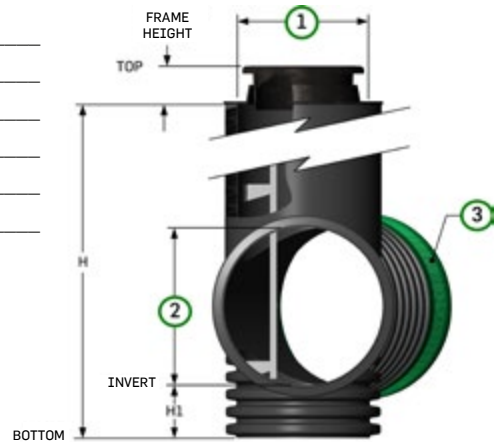
**D) Angle :** \_\_\_\_\_ °

FRAMES and COVERS/GRATES :  None

- Adjustable cast iron frame, guide frame and cover 
- Adjustable cast iron frame, guide frame and grate  Roadway
- Frame and cover in S Series cast iron  Non-Roadway
- Frame and grate in S series cast iron  Non-Roadway

**OPTIONS :**

- Ladder (galvanised steel, installed) 
- Lift eyelets (anchors not included) 



COMMENTS : \_\_\_\_\_

\* Note : When used with a suitable frame and grate.

APPROVAL