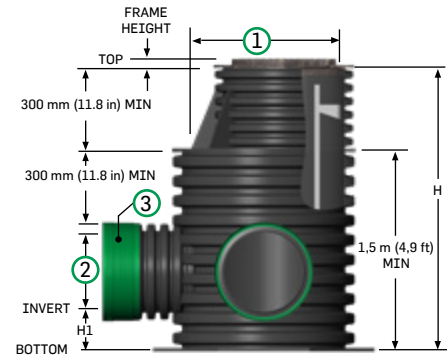


FABRICATION FORM

CORRUGATED MANHOLE/CATCH BASIN 1050 mm (42 in) TO 1200 mm (48 in) FOR NON-ROADWAY USE

PROJECT : _____
 DATE REQUIRED : _____
 CLIENT : _____
 TELEPHONE : _____
 APPROVED BY : _____
 QUANTITY : _____
 MANHOLE/CATCH BASIN NUMBER : _____ As on the site plan.



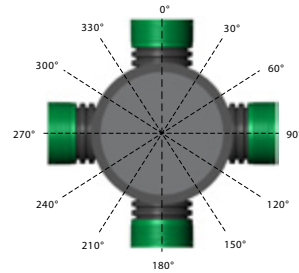
DIMENSIONS :

- ① Nominal diameter : _____ mm in
- Height (H) : _____ m ft
- Structure : Perforated Non-perforated
- With bottom Without bottom

OUTLETS AND COUPLERS :

② Outlet diameter mm (in)	H1 (mm)	ANGLE (°)	③ Type of coupler	OPTIONS Hook or eyelet (for hooking system)
	Standard : 300 mm (12 in)	Top view		
A				
B				
C				
D				

OUTLET ANGLES :



FRAMES and COVERS/GRATES : None

Frame and grate in S series cast iron Frame and cover in S series cast iron

900 mm (36 in)



900 mm (36 in)



OPTIONS :

Ladder
(galvanised steel, installed)



Safety platform



COMMENTS : _____

APPROVAL