

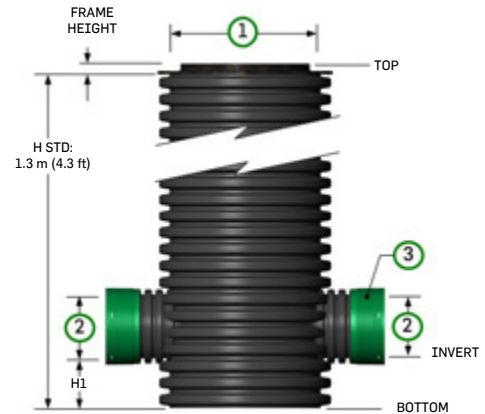
# FABRICATION FORM

## CORRUGATED MANHOLE/CATCH BASIN 300 mm (12 in) TO 900 mm (36 in) FOR NON-ROADWAY USE

PROJECT : \_\_\_\_\_  
 DATE REQUIRED : \_\_\_\_\_  
 CLIENT : \_\_\_\_\_  
 TELEPHONE : \_\_\_\_\_  
 APPROVED BY : \_\_\_\_\_  
 QUANTITY : \_\_\_\_\_  
 MANHOLE/CATCH BASIN NUMBER : \_\_\_\_\_ As on the site plan.

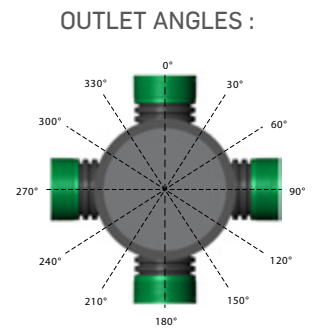
**DIMENSIONS :**

- ① Nominal diameter : \_\_\_\_\_ mm  in
- Height(H) :  Standard 1.3 m (4.3 ft)  
 Other : \_\_\_\_\_ m  ft
- Structure :  Perforated  Non-perforated  
 With bottom  Without bottom



**OUTLETS AND COUPLERS :**

② Outlet diameter mm (in)	H1 (mm)	ANGLE (°)	③ Type of coupler	OPTIONS Hook or eyelet (for hooking system)
	Standard : 300 mm (12 in)	Top view		
A				
B				
C				
D				



FRAMES and COVERS/GRATES :  None

**HDPE grate**

- 300 mm (12 in)
- 375 mm (15 in)
- 450 mm (18 in)



**Frame and grate in S series cast iron**

- 300 mm (12 in)
- 375 mm (15 in)
- 450 mm (18 in)
- 600 mm (24 in)
- 750 mm (30 in)
- 900 mm (36 in)



**Frame and cover in S series cast iron**

- 600 mm (24 in)
- 750 mm (30 in)
- 900 mm (36 in)



**OPTIONS :**

Ladder  
(galvanised steel, installed)



APPROVAL

COMMENTS : \_\_\_\_\_