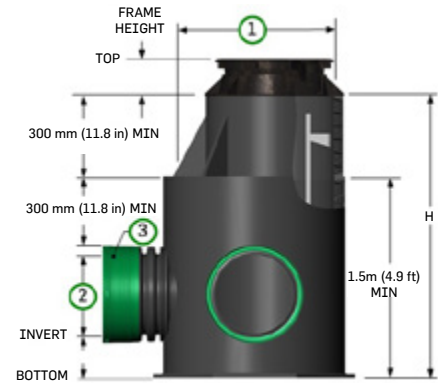


FABRICATION FORM

MANHOLE WITH SMOOTH EXTERIOR WALL 1,050 mm (42 in) TO 3,350 mm (132 in) FOR ROADWAY* OR NON-ROADWAY USE

PROJECT : _____
 DATE REQUIRED : _____
 CLIENT : _____
 TELEPHONE : _____
 APPROVED BY : _____
 QUANTITY : _____
 MANHOLE NUMBER : _____ As on the site plan.

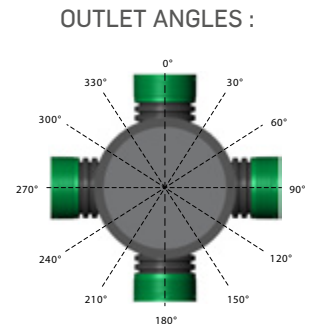


DIMENSIONS :

① Nominal diameter : _____ mm in
 Height (H) : _____ m ft
 Structure : Perforated Non-perforated
 With bottom Without bottom

OUTLETS AND COUPLERS :

② Outlet diameter mm (in)	H1 (mm)	ANGLE (°)	③ Type of coupler	OPTIONS Hook or eyelet (for hooking system)
	Standard : 300 mm (12 in)	Top view		
A				
B				
C				
D				



FRAMES and COVERS/GRATES : None

Adjustable cast iron frame,
guide frame and cover

900 mm (36 in)



Roadway

OPTIONS :

Ladder
(galvanised steel, installed)



Safety platform



Lift eyelets
(anchors not included)



APPROVAL

COMMENTS : _____

* Note : When used with a suitable frame and grate.