

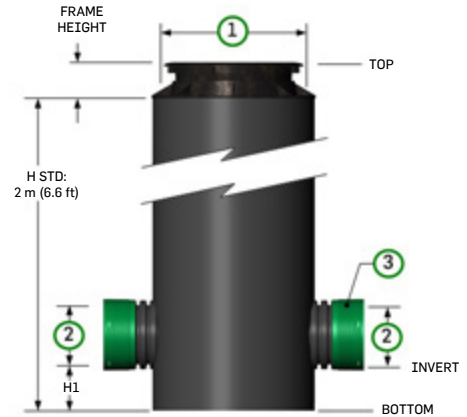
FABRICATION FORM

MANHOLE WITH SMOOTH EXTERIOR WALL 600 mm (24 in) TO 900mm (36 in) FOR ROADWAY* OR NON-ROADWAY USE

PROJECT: _____
 DATE REQUIRED: _____
 CLIENT: _____
 TELEPHONE: _____
 APPROVED BY: _____
 QUANTITY: _____
 MANHOLE NUMBER: _____ As on the site plan.

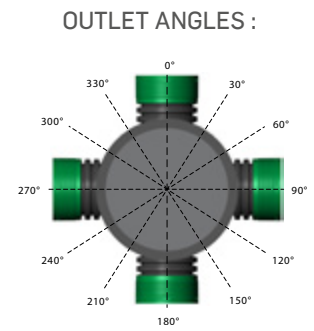
DIMENSIONS :

- ① Nominal diameter : _____ mm in
- Height(H) : Standard 2.0 m (6.6 ft)
 Other : _____ m ft
- Structure : Perforated Non-perforated
 With bottom Without bottom



OUTLETS AND COUPLERS :

② Outlet diameter mm (in)	H1 (mm)	ANGLE (°)	③ Type of coupler	OPTIONS Hook or eyelet (for hooking system)
	Standard : 300 mm (12 in)	Top view		
A				
B				
C				
D				



FRAMES and COVERS/GRATES : None

Adjustable cast iron frame,
guide frame and cover

- 600 mm (24 in)
- 750 mm (30 in)
- 900 mm (36 in)



Roadway

Frame and cover in S series
cast iron

- 600 mm (24 in)
- 750 mm (30 in)
- 900 mm (36 in)



Non-roadway

OPTIONS :

Ladder
(galvanised steel, installed)



Safety platform



Lift eyelets
(anchors not included)



APPROVAL

COMMENTS : _____

* Note : When used with a suitable frame and grate.