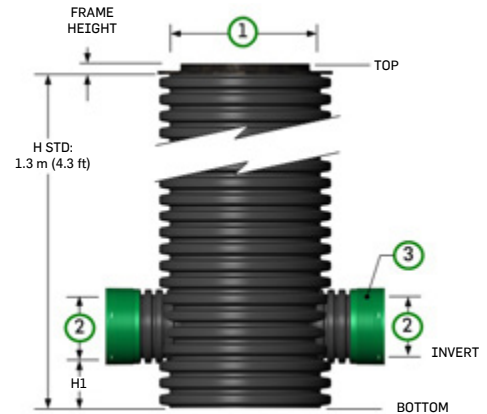


FABRICATION FORM

CORRUGATED MANHOLE/CATCH BASIN 300 mm (12 in) TO 900 mm (36 in) FOR NON-ROADWAY USE

PROJECT : _____
 DATE REQUIRED : _____
 CLIENT : _____
 TELEPHONE : _____
 APPROVED BY : _____
 QUANTITY : _____
 MANHOLE/CATCH BASIN NUMBER : _____ As on the site plan.

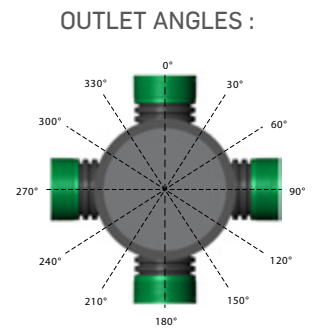


DIMENSIONS :

- ① Nominal diameter : _____ mm in
 Height(H) : Standard 1.3 m (4.3 ft)
 Other : _____ m ft
 Structure : Perforated Non-perforated
 With bottom Without bottom

OUTLETS AND COUPLERS :

② Outlet diameter mm (in)	H1 (mm)	ANGLE (°)	③ Type of coupler	OPTIONS Hook or eyelet (for hooking system)
	Standard : 300 mm (12 in)	Top view		
A				
B				
C				
D				



FRAMES and COVERS/GRATES : None

HDPE grate

- 300 mm (12 in)
 375 mm (15 in)
 450 mm (18 in)



Frame and grate in S series cast iron

- 300 mm (12 in)
 375 mm (15 in)
 450 mm (18 in)
 600 mm (24 in)
 750 mm (30 in)
 900 mm (36 in)



Frame and cover in S series cast iron

- 600 mm (24 in)
 750 mm (30 in)
 900 mm (36 in)



OPTIONS :

Ladder
 (galvanised steel, installed)



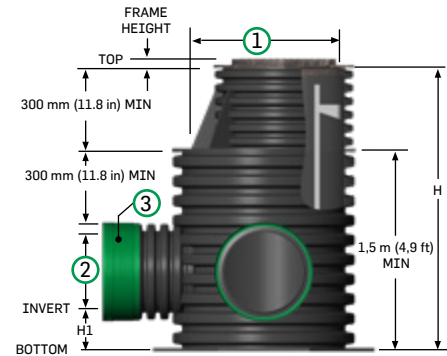
APPROVAL

COMMENTS : _____

FABRICATION FORM

CORRUGATED MANHOLE/CATCH BASIN 1050 mm (42 in) TO 1200 mm (48 in) FOR NON-ROADWAY USE

PROJECT : _____
 DATE REQUIRED : _____
 CLIENT : _____
 TELEPHONE : _____
 APPROVED BY : _____
 QUANTITY : _____
 MANHOLE/CATCH BASIN NUMBER : _____ As on the site plan.



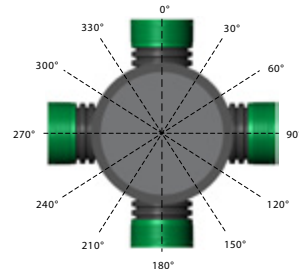
DIMENSIONS :

- ① Nominal diameter : _____ mm in
- Height (H) : _____ m ft
- Structure : Perforated Non-perforated
- With bottom Without bottom

OUTLETS AND COUPLERS :

② Outlet diameter mm (in)	H1 (mm)	ANGLE (°)	③ Type of coupler	OPTIONS Hook or eyelet (for hooking system)
	Standard : 300 mm (12 in)	Top view		
A				
B				
C				
D				

OUTLET ANGLES :



FRAMES and COVERS/GRATES : None

Frame and grate in S series cast iron Frame and cover in S series cast iron

900 mm (36 in)



900 mm (36 in)



OPTIONS :

Ladder
(galvanised steel, installed)



Safety platform



COMMENTS : _____

APPROVAL

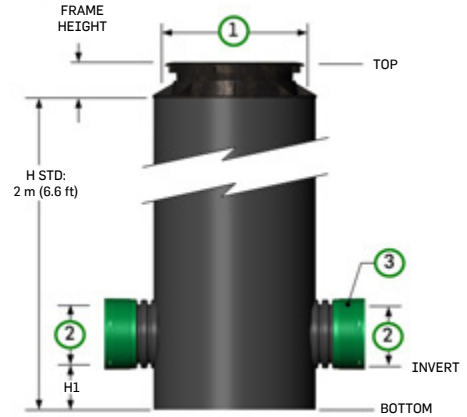
FABRICATION FORM

CATCH BASIN WITH SMOOTH EXTERIOR WALL 450 mm (18 in) TO 900 mm (36 in) FOR ROADWAY* OR NON-ROADWAY USE

PROJECT : _____
 DATE REQUIRED : _____
 CLIENT : _____
 TELEPHONE : _____
 APPROVED BY : _____
 QUANTITY : _____
 CATCH BASIN NUMBER : _____ As on the site plan.

DIMENSIONS :

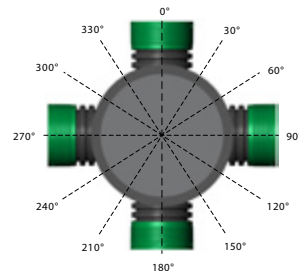
① Nominal diameter : _____ mm in
 Height(H) : Standard 2.0 m (6.6 ft)
 Other : _____ m ft
 Structure : Perforated Non-perforated
 With bottom Without bottom



OUTLETS AND COUPLERS :

② Outlet diameter mm (in)	H1 (mm)	ANGLE (°)	③ Type of coupler	OPTIONS Hook or eyelet (for hooking system)
	Standard : 300 mm (12 in)	Top view		
A				
B				
C				
D				

OUTLET ANGLES :



FRAMES and COVERS/GRATES : None

Adjustable cast iron frame, guide frame and grate

- 450 mm (18 in)**
- 600 mm (24 in)
- 750 mm (30 in)
- 900 mm (36 in)

**no guide frame



Roadway

Rectangular adjustable cast iron frame, guide frame and grate

- 355.6 mm x 609.6 mm (14 in x 24 in)
- 457.2 mm x 914.4 mm (18 in x 36 in)



Roadway

Frame and grate in S series cast iron

- 450 mm (18 in)
- 600 mm (24 in)
- 750 mm (30 in)
- 900 mm (36 in)



Non-roadway

OPTIONS :

Lift eyelets (anchors not included)



COMMENTS : _____

* Note : When used with a suitable frame and grate.

APPROVAL

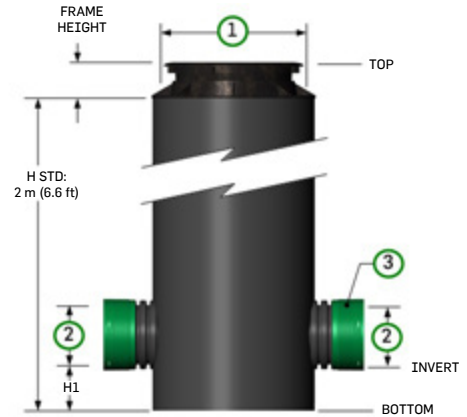
FABRICATION FORM

MANHOLE WITH SMOOTH EXTERIOR WALL 600 mm (24 in) TO 900mm (36 in) FOR ROADWAY* OR NON-ROADWAY USE

PROJECT: _____
 DATE REQUIRED: _____
 CLIENT: _____
 TELEPHONE: _____
 APPROVED BY: _____
 QUANTITY: _____
 MANHOLE NUMBER: _____ As on the site plan.

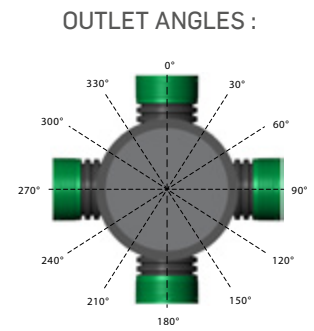
DIMENSIONS :

- ① Nominal diameter : _____ mm in
- Height(H) : Standard 2.0 m (6.6 ft)
 Other : _____ m ft
- Structure : Perforated Non-perforated
 With bottom Without bottom



OUTLETS AND COUPLERS :

② Outlet diameter mm (in)	H1 (mm)	ANGLE (°)	③ Type of coupler	OPTIONS Hook or eyelet (for hooking system)
	Standard : 300 mm (12 in)	Top view		
A				
B				
C				
D				



FRAMES and COVERS/GRATES : None

Adjustable cast iron frame,
guide frame and cover

- 600 mm (24 in)
- 750 mm (30 in)
- 900 mm (36 in)



Roadway

Frame and cover in S series
cast iron

- 600 mm (24 in)
- 750 mm (30 in)
- 900 mm (36 in)



Non-roadway

OPTIONS :

Ladder
(galvanised steel, installed)



Safety platform



Lift eyelets
(anchors not included)



APPROVAL

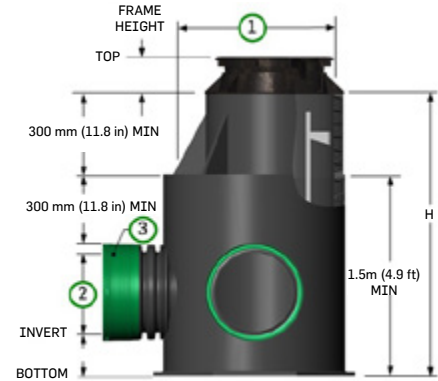
COMMENTS : _____

* Note : When used with a suitable frame and grate.

FABRICATION FORM

MANHOLE WITH SMOOTH EXTERIOR WALL 1,050 mm (42 in) TO 3,350 mm (132 in) FOR ROADWAY* OR NON-ROADWAY USE

PROJECT : _____
 DATE REQUIRED : _____
 CLIENT : _____
 TELEPHONE : _____
 APPROVED BY : _____
 QUANTITY : _____
 MANHOLE NUMBER : _____ As on the site plan.

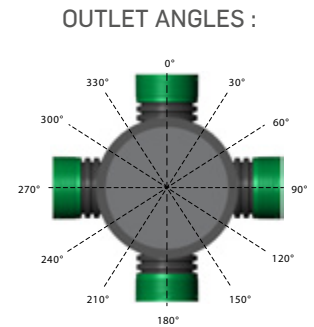


DIMENSIONS :

- ① Nominal diameter : _____ mm in
- Height (H) : _____ m ft
- Structure : Perforated Non-perforated
- With bottom Without bottom

OUTLETS AND COUPLERS :

② Outlet diameter mm (in)	H1 (mm)	ANGLE (°)	③ Type of coupler	OPTIONS Hook or eyelet (for hooking system)
	Standard : 300 mm (12 in)	Top view		
A				
B				
C				
D				



FRAMES and COVERS/GRATES : None

Adjustable cast iron frame,
guide frame and cover

900 mm (36 in)



Roadway

OPTIONS :

Ladder
(galvanised steel, installed)



Safety platform



Lift eyelets
(anchors not included)



APPROVAL

COMMENTS : _____

* Note : When used with a suitable frame and grate.

FABRICATION FORM

MANHOLE/CATCH BASIN CHIMNEY TYPE 600 mm (24 in) TO 900 mm (36 in) FOR ROADWAY* OR NON-ROADWAY USE

PROJECT : _____
 DATE REQUIRED : _____
 CLIENT : _____
 TELEPHONE : _____
 APPROVED BY : _____
 QUANTITY : _____
 MANHOLE NUMBER : _____ As on the site plan.

DIMENSIONS:

A) Diameters

- Chimney : _____ mm po
- Conduit : _____ mm po
- Smooth exterior wall (FOR ROADWAY)
- Corrugated wall (NON-ROADWAY)

B) Heights





- H : _____ mm po
- H1 (bottom) : _____ mm po

C) Lengths

- L totale : _____ mm po
- L1 : _____ mm po

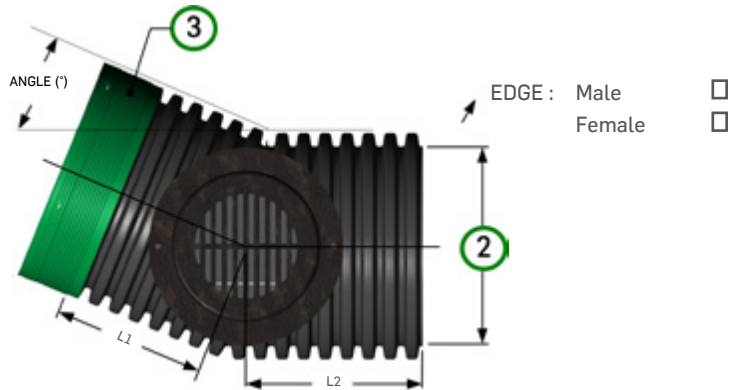
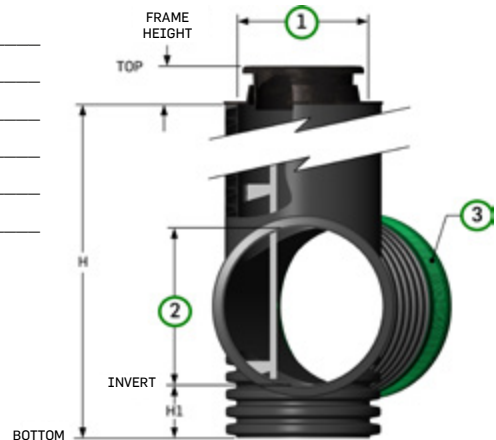
D) Angle : _____ °

FRAMES and COVERS/GRATES : None

- Adjustable cast iron frame, guide frame and cover 
- Adjustable cast iron frame, guide frame and grate  Roadway
- Frame and cover in S Series cast iron  Non-Roadway
- Frame and grate in S series cast iron  Non-Roadway

OPTIONS :

- Ladder (galvanised steel, installed) 
- Lift eyelets (anchors not included) 



APPROVAL

COMMENTS : _____

* Note : When used with a suitable frame and grate.

FABRICATION FORM

STANDARD OR CUSTOM-MADE RISER FOR MANHOLE OR CATCH BASIN WITH SMOOTH EXTERIOR WALL

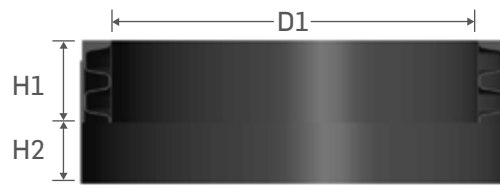
PROJECT : _____

DATE REQUIRED : _____

CLIENT : _____

FOR OFFICE USE

ORDER #: _____



Diameter D1	Quantity	Rings	Specify Lengths
<input type="checkbox"/> 525 mm (21 in)	_____	2 <input type="checkbox"/>	Standard (according to data sheet) <input type="checkbox"/>
<input type="checkbox"/> 600 mm (24 in)		3 <input type="checkbox"/>	or
<input type="checkbox"/> 750 mm (30 in)			H1 : _____ <input type="checkbox"/> mm
<input type="checkbox"/> 900 mm (36 in)			<input type="checkbox"/> in
			H2 : _____ <input type="checkbox"/> mm
			<input type="checkbox"/> in

Note : For a manhole riser, validate the ladder height before ordering.

APPROVAL

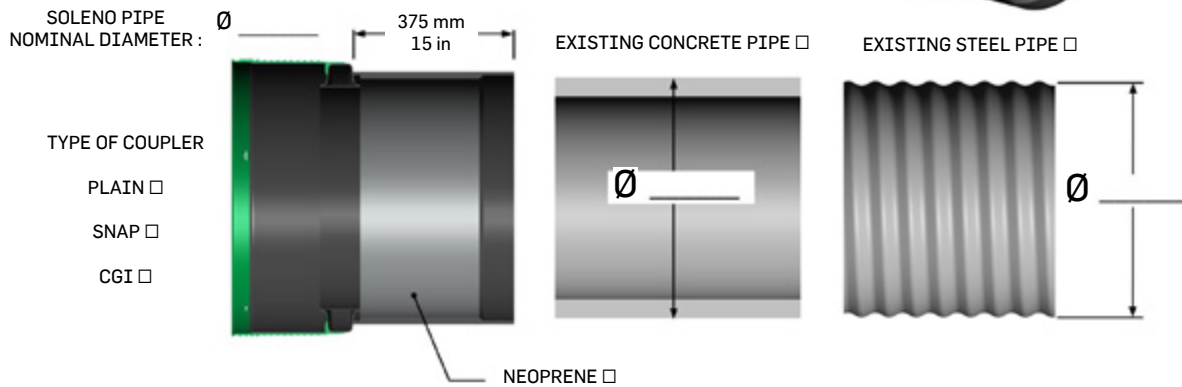
COMMENTS : _____

FABRICATION FORM

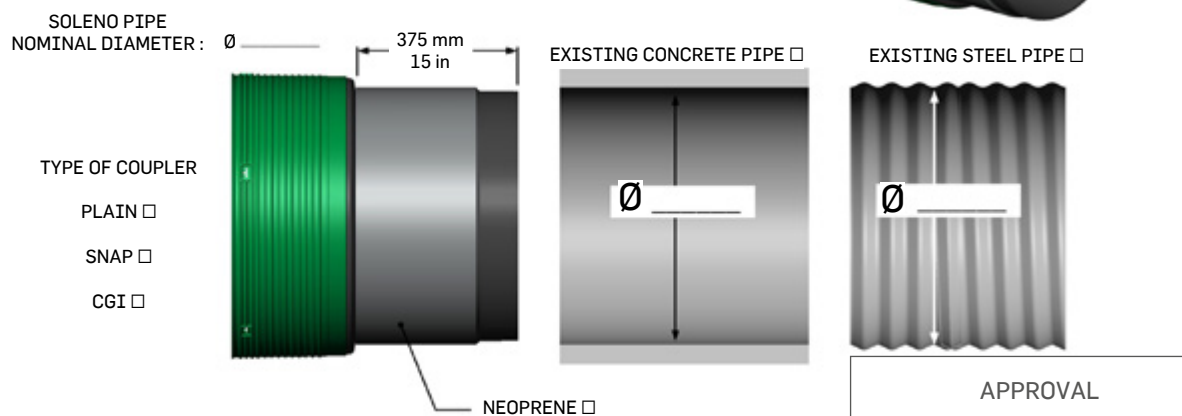
OUTSIDE OR INSIDE ADAPTER

PROJECT : _____
 DATE REQUIRED : _____
 CLIENT : _____
 TELEPHONE : _____
 APPROVED BY : _____
 QUANTITY : _____

OUTSIDE ADAPTER



INSIDE ADAPTER



APPROVAL

COMMENTS : _____

FABRICATION FORM

MONOLITHIC CATCH BASIN INLET/CONNECTION

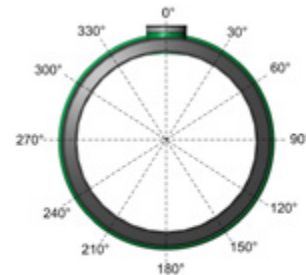
PROJECT : _____

DATE REQUIRED : _____

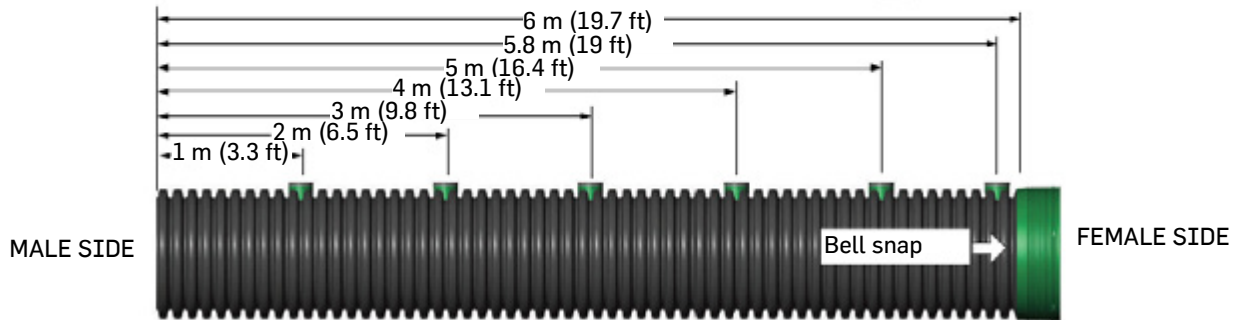
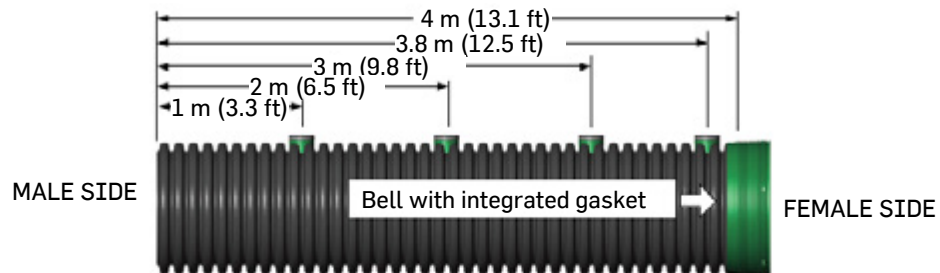
CLIENT : _____

TELEPHONE : _____

APPROVED BY: _____



VIEW FROM MALE SIDE



# IDENTIFICATION	Ø MAIN		Ø FEEDER MAIN (CONNECTIONS)			CONNECTIONS POSITIONING							ANGLE	QTY
	4 m (13.1 ft)	6 m (19.7 ft)				MALE END								
	GSKT.	SNAP	PVC	HDPE SNAP	HDPE GSKT.	1 m (3.3 ft)	2 m (6.5 ft)	3 m (9.8 ft)	3.8 m (12.5 ft)	4 m (13.1 ft)	5 m (16.4 ft)	5.8 m (19 ft)		

COMMENTS : _____

FABRICATION FORM

AQUA-SWIRL

PROJECT : _____
 SITE : _____
 CLIENT : _____
 PHONE | E-MAIL : _____
 DATE REQUIRED : _____
 DESIGNING ENGINEER : _____
 COMPANY AND CONTACT INFORMATION : _____

INSPECTION CONTRACT AND MAINTENANCE REQUIRED: YES NO

TREATMENT DEVICE SPECIFICATIONS :

Rate of flow to be treated : _____ L/s

Model number (if specified in the plans) : AS-X _____



ONLY FOR LÉVIS

Area (ha)	_____
Runoff Coefficient	_____

Online or offline configuration : Online Offline

If offline, how many bypass manholes? _____

Pipe diameter : _____ inlet _____ outlet

Pipe Type : _____ inlet _____ outlet

Invert : _____ inlet _____ outlet

Angle between inlet and outlet lines : _____

Slope of the inlet line : _____ %

Slope of the outlet pipe : _____ %

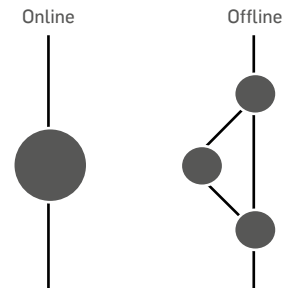
Direction of flow (clockwise or counterclockwise) : _____

Elevation of the water table : _____

Final grade (finished ground elevation) : _____

Will unit be subjected to traffic loading? YES NO

COMMENTS : _____



APPROVAL

FABRICATION FORM

NON-STANDARD MANHOLE ADAPTER - 300 mm (12 in) to 900 mm (36 in)

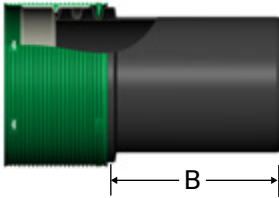

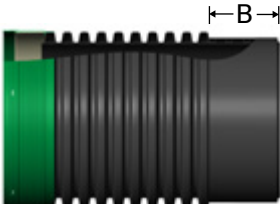
PROJECT : _____

DATE REQUIRED : _____

CLIENT : _____

FOR OFFICE USE

ORDER # : _____

Type of opening	Specify the diameter SOLFLO MAX (A)	Quantity	Product Drawing	Specify dimension required
PVC	<input type="checkbox"/> 300 mm (12 in)	_____		B: _____ <input type="checkbox"/> mm <input type="checkbox"/> in
PVC	<input type="checkbox"/> 375 mm (15 in) <input type="checkbox"/> 450 mm (18 in) <input type="checkbox"/> 525 mm (21 in) <input type="checkbox"/> 600 mm (24 in)	_____ _____ _____ _____		B: _____ B: _____ <input type="checkbox"/> mm B: _____ <input type="checkbox"/> in B: _____
Concrete	<input type="checkbox"/> 525 mm (21 in) <input type="checkbox"/> 600 mm (24 in) <input type="checkbox"/> 750 mm (30 in) <input type="checkbox"/> 900 mm (36 in)	_____ _____ _____ _____		B: _____ B: _____ <input type="checkbox"/> mm B: _____ <input type="checkbox"/> in B: _____

COMMENTS : _____

APPROVAL

FABRICATION FORM

NON-STANDARD MANHOLE ADAPTER - 1050 mm (42 in) to 1200 mm (48 in)

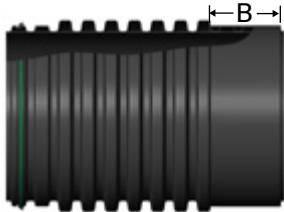
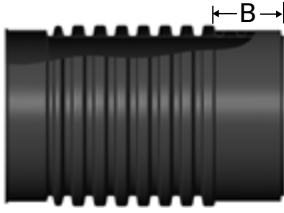
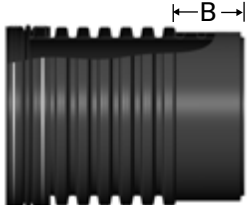
PROJECT : _____

DATE REQUIRED : _____

CLIENT : _____

FOR OFFICE USE

ORDER # : _____

Type of opening	Specify the diameter SOLFLO MAX (A)	Quantity	Product Drawing	Specify dimension required
Concrete	<input type="checkbox"/> 1050 mm (42 in) M	_____		B : _____ <input type="checkbox"/> mm
	<input type="checkbox"/> 1200 mm (48 in) M	_____		B : _____ <input type="checkbox"/> in
Concrete	<input type="checkbox"/> 1050 mm (42 in) F	_____		B : _____ <input type="checkbox"/> mm
	<input type="checkbox"/> 1200 mm (48 in) F	_____		B : _____ <input type="checkbox"/> in
Concrete	<input type="checkbox"/> 1050 mm (42 in) CS	_____		B : _____ <input type="checkbox"/> mm
	<input type="checkbox"/> 1200 mm (48 in) CS	_____		B : _____ <input type="checkbox"/> in

Legend : M = male outlet with O-ring seal;
F = female outlet;
CS = smooth outlet with collar sleeve; both male rings of the pipe to connect must be cut before installation

APPROVAL

COMMENTS : _____

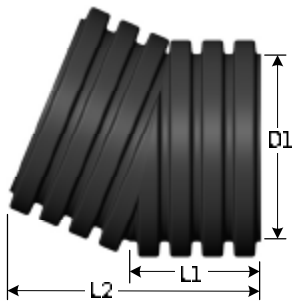
FABRICATION FORM

STANDARD OR CUSTOM MADE ELBOW

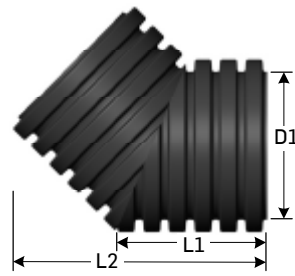
PROJECT : _____
 DATE REQUIRED : _____
 CLIENT : _____

FOR OFFICE USE

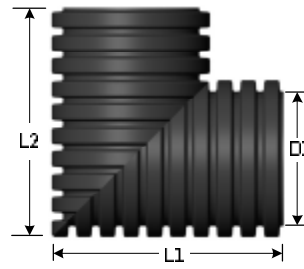
ORDER # : _____



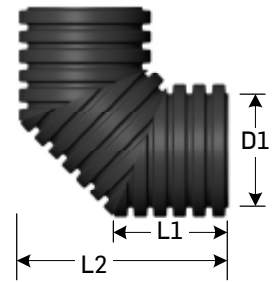
22.5°



45°



90°



90° - 3 sections

D1 Diameter	Quantity	Angle	Fitting	Specify lengths	
<input type="checkbox"/> 100 mm (4 in)	_____	<input type="checkbox"/> 22.5°	Side A	Standard <input type="checkbox"/>	
<input type="checkbox"/> 150 mm (6 in)		<input type="checkbox"/> 45°	<input type="checkbox"/> Plain end	(according to data sheet)	
<input type="checkbox"/> 200 mm (8 in)		<input type="checkbox"/> 90°	<input type="checkbox"/> Clip	or	
<input type="checkbox"/> 250 mm (10 in)		<input type="checkbox"/> 90° - 3 sections	<input type="checkbox"/> Gasket	L1 : _____	<input type="checkbox"/> mm
<input type="checkbox"/> 300 mm (12 in)					<input type="checkbox"/> in
<input type="checkbox"/> 375 mm (15 in)					
<input type="checkbox"/> 450 mm (18 in)				Side B	L2 : _____
<input type="checkbox"/> 525 mm (21 in)				<input type="checkbox"/> Plain end	Not required for 90°
<input type="checkbox"/> 600 mm (24 in)				<input type="checkbox"/> Clip	<input type="checkbox"/> mm
<input type="checkbox"/> 750 mm (30 in)				<input type="checkbox"/> Gasket	<input type="checkbox"/> in
<input type="checkbox"/> 900 mm (36 in)					
<input type="checkbox"/> 1050 mm (42 in)					
<input type="checkbox"/> 1200 mm (48 in)					

APPROVAL

COMMENTS : _____

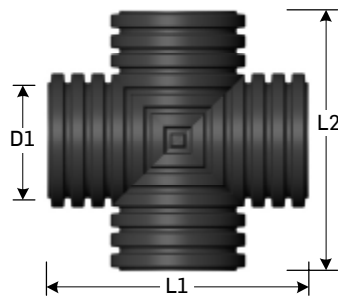
FABRICATION FORM

STANDARD OR CUSTOM MADE CROSS AND CROSS-REDUCER

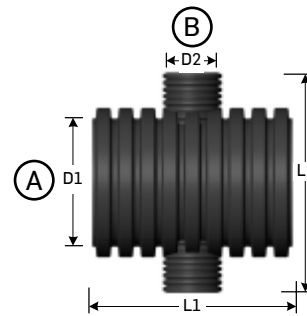
PROJECT : _____
 DATE REQUIRED : _____
 CLIENT : _____

FOR OFFICE USE

ORDER # : _____



Cross



Cross-reducer

D1 Diameter	D2 Diameter	Quantity	Fitting	Specify lengths
<input type="checkbox"/> 100 mm (4 in)	<input type="checkbox"/> 100 mm (4 in)	_____	Side A	Standard (according to data sheet) <input type="checkbox"/>
<input type="checkbox"/> 150 mm (6 in)	<input type="checkbox"/> 150 mm (6 in)		<input type="checkbox"/> Plain end	or
<input type="checkbox"/> 200 mm (8 in)	<input type="checkbox"/> 200 mm (8 in)		<input type="checkbox"/> Clip	L1 : _____ <input type="checkbox"/> mm
<input type="checkbox"/> 250 mm (10 in)	<input type="checkbox"/> 250 mm (10 in)		<input type="checkbox"/> Gasket	<input type="checkbox"/> in
<input type="checkbox"/> 300 mm (12 in)	<input type="checkbox"/> 300 mm (12 in)			L2 : _____ <input type="checkbox"/> mm
<input type="checkbox"/> 375 mm (15 in)	<input type="checkbox"/> 375 mm (15 in)		Side B	<input type="checkbox"/> in
<input type="checkbox"/> 450 mm (18 in)	<input type="checkbox"/> 450 mm (18 in)		<input type="checkbox"/> Plain end	
<input type="checkbox"/> 525 mm (21 in)	<input type="checkbox"/> 525 mm (21 in)		<input type="checkbox"/> Clip	
<input type="checkbox"/> 600 mm (24 in)	<input type="checkbox"/> 600 mm (24 in)		<input type="checkbox"/> Gasket	
<input type="checkbox"/> 750 mm (30 in)	<input type="checkbox"/> 750 mm (30 in)			
<input type="checkbox"/> 900 mm (36 in)				
<input type="checkbox"/> 1050 mm (42 in)				
<input type="checkbox"/> 1200 mm (48 in)				

APPROVAL

COMMENTS : _____

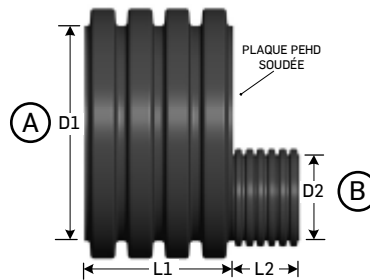
FABRICATION FORM

STANDARD OR CUSTOM MADE REDUCER

PROJECT : _____
 DATE REQUIRED : _____
 CLIENT : _____

FOR OFFICE USE

ORDER # : _____



D1 Diameter	D2 Diameter (If different from D1)	Quantity	Fitting	Specify lengths
<input type="checkbox"/> 150 mm (6 in)	<input type="checkbox"/> 100 mm (4 in)	_____	Side A	Standard (according to data sheet) <input type="checkbox"/>
<input type="checkbox"/> 200 mm (8 in)	<input type="checkbox"/> 150 mm (6 in)		<input type="checkbox"/> Plain end	or
<input type="checkbox"/> 250 mm (10 in)	<input type="checkbox"/> 200 mm (8 in)		<input type="checkbox"/> Clip	L1 : _____ <input type="checkbox"/> mm
<input type="checkbox"/> 300 mm (12 in)	<input type="checkbox"/> 250 mm (10 in)		<input type="checkbox"/> Gasket	<input type="checkbox"/> in
<input type="checkbox"/> 375 mm (15 in)	<input type="checkbox"/> 300 mm (12 in)			L2 : _____ <input type="checkbox"/> mm
<input type="checkbox"/> 450 mm (18 in)	<input type="checkbox"/> 375 mm (15 in)			<input type="checkbox"/> in
<input type="checkbox"/> 525 mm (21 in)	<input type="checkbox"/> 450 mm (18 in)		Side B	
<input type="checkbox"/> 600 mm (24 in)	<input type="checkbox"/> 525 mm (21 in)		<input type="checkbox"/> Plain end	
<input type="checkbox"/> 750 mm (30 in)	<input type="checkbox"/> 600 mm (24 in)		<input type="checkbox"/> Clip	
<input type="checkbox"/> 900 mm (36 in)	<input type="checkbox"/> 750 mm (30 in)		<input type="checkbox"/> Gasket	

COMMENTS : _____

APPROVAL

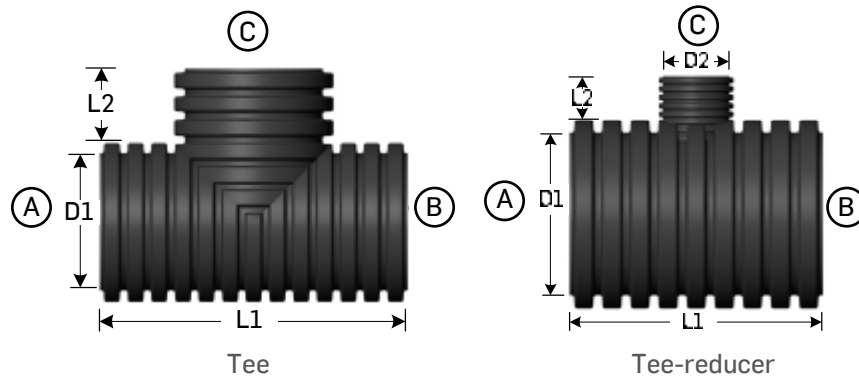
FABRICATION FORM

STANDARD OR CUSTOM TEE / REDUCER-TEE OR CORRUGATED MANHOLE/CATCH BASIN-TEE

PROJECT : _____
 DATE REQUIRED : _____
 CLIENT : _____

FOR OFFICE USE

ORDER # : _____



D1 Diameter	D2 Diameter (If different from D1)	Quantity	Fitting	Specify lengths
<input type="checkbox"/> 100 mm (4 in)	<input type="checkbox"/> 100 mm (4 in)	_____	Side A	Standard <input type="checkbox"/> (according to data sheet)
<input type="checkbox"/> 150 mm (6 in)	<input type="checkbox"/> 150 mm (6 in)		<input type="checkbox"/> Plain end	or
<input type="checkbox"/> 200 mm (8 in)	<input type="checkbox"/> 200 mm (8 in)		<input type="checkbox"/> Clip	L1 : _____ <input type="checkbox"/> mm
<input type="checkbox"/> 250 mm (10 in)	<input type="checkbox"/> 250 mm (10 in)		<input type="checkbox"/> Gasket	<input type="checkbox"/> in
<input type="checkbox"/> 300 mm (12 in)	<input type="checkbox"/> 300 mm (12 in)		Side B	L2 : _____ <input type="checkbox"/> mm
<input type="checkbox"/> 375 mm (15 in)	<input type="checkbox"/> 375 mm (15 in)		<input type="checkbox"/> Plain end	<input type="checkbox"/> in
<input type="checkbox"/> 450 mm (18 in)	<input type="checkbox"/> 450 mm (18 in)		<input type="checkbox"/> Clip	
<input type="checkbox"/> 525 mm (21 in)	<input type="checkbox"/> 525 mm (21 in)		<input type="checkbox"/> Gasket	
<input type="checkbox"/> 600 mm (24 in)	<input type="checkbox"/> 600 mm (24 in)		Side C	
<input type="checkbox"/> 750 mm (30 in)	<input type="checkbox"/> 750 mm (30 in)		<input type="checkbox"/> Plain end	
<input type="checkbox"/> 900 mm (36 in)			<input type="checkbox"/> Clip	
<input type="checkbox"/> 1050 mm (42 in)			<input type="checkbox"/> Gasket	
<input type="checkbox"/> 1200 mm (48 in)				

APPROVAL

FRAMES and COVERS/GRATES : None

HDPE grate

- 300 mm (12 in)
- 375 mm (15 in)
- 450 mm (18 in)



Frame and grate in S series cast iron

- 300 mm (12 in)
- 375 mm (15 in)
- 450 mm (18 in)
- 600 mm (24 in)
- 750 mm (30 in)
- 900 mm (36 in)



Frame and cover in S series cast iron

- 600 mm (24 in)
- 750 mm (30 in)
- 900 mm (36 in)



COMMENTS : _____

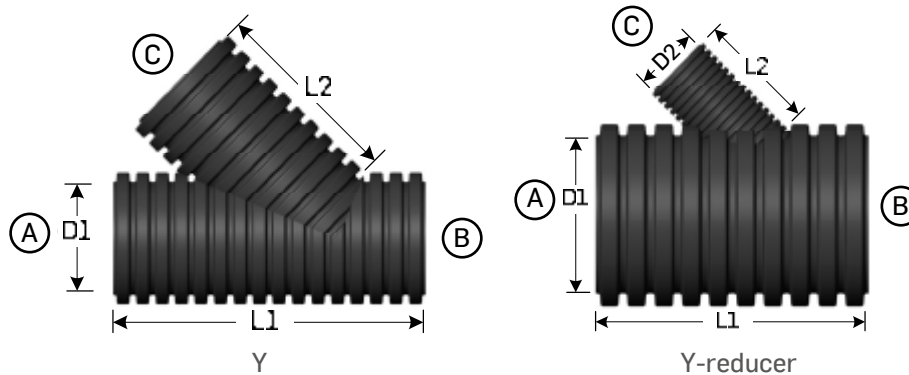
FABRICATION FORM

STANDARD OR CUSTOM MADE WYE (Y) AND WYE (Y) REDUCER

PROJECT : _____
 DATE REQUIRED : _____
 CLIENT : _____

FOR OFFICE USE

ORDER # : _____



D1 Diameter	D2 Diameter (If different from D1)	Quantity	Fitting	Specify lengths
<input type="checkbox"/> 100 mm (4 in)	<input type="checkbox"/> 100 mm (4 in)	_____	Side A	Standard <input type="checkbox"/> (according to data sheet)
<input type="checkbox"/> 150 mm (6 in)	<input type="checkbox"/> 150 mm (6 in)		<input type="checkbox"/> Plain end	or
<input type="checkbox"/> 200 mm (8 in)	<input type="checkbox"/> 200 mm (8 in)		<input type="checkbox"/> Clip	L1 : _____ <input type="checkbox"/> mm
<input type="checkbox"/> 250 mm (10 in)	<input type="checkbox"/> 250 mm (10 in)		<input type="checkbox"/> Gasket	<input type="checkbox"/> in
<input type="checkbox"/> 300 mm (12 in)	<input type="checkbox"/> 300 mm (12 in)			L2 : _____ <input type="checkbox"/> mm
<input type="checkbox"/> 375 mm (15 in)	<input type="checkbox"/> 375 mm (15 in)		Side B	<input type="checkbox"/> in
<input type="checkbox"/> 450 mm (18 in)	<input type="checkbox"/> 450 mm (18 in)		<input type="checkbox"/> Plain end	
<input type="checkbox"/> 525 mm (21 in)	<input type="checkbox"/> 525 mm (21 in)		<input type="checkbox"/> Clip	
<input type="checkbox"/> 600 mm (24 in)	<input type="checkbox"/> 600 mm (24 in)		<input type="checkbox"/> Gasket	
<input type="checkbox"/> 750 mm (30 in)	<input type="checkbox"/> 750 mm (30 in)			
<input type="checkbox"/> 900 mm (36 in)			Side C	
<input type="checkbox"/> 1050 mm (42 in)			<input type="checkbox"/> Plain end	
<input type="checkbox"/> 1200 mm (48 in)			<input type="checkbox"/> Clip	
			<input type="checkbox"/> Gasket	

APPROVAL

COMMENTS : _____