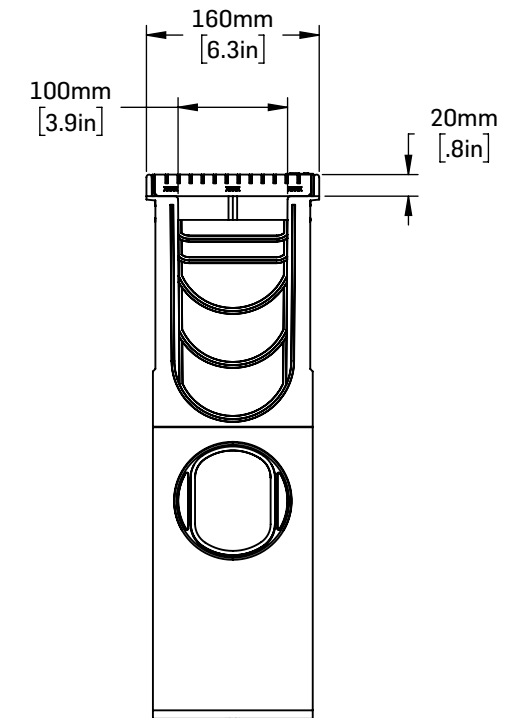
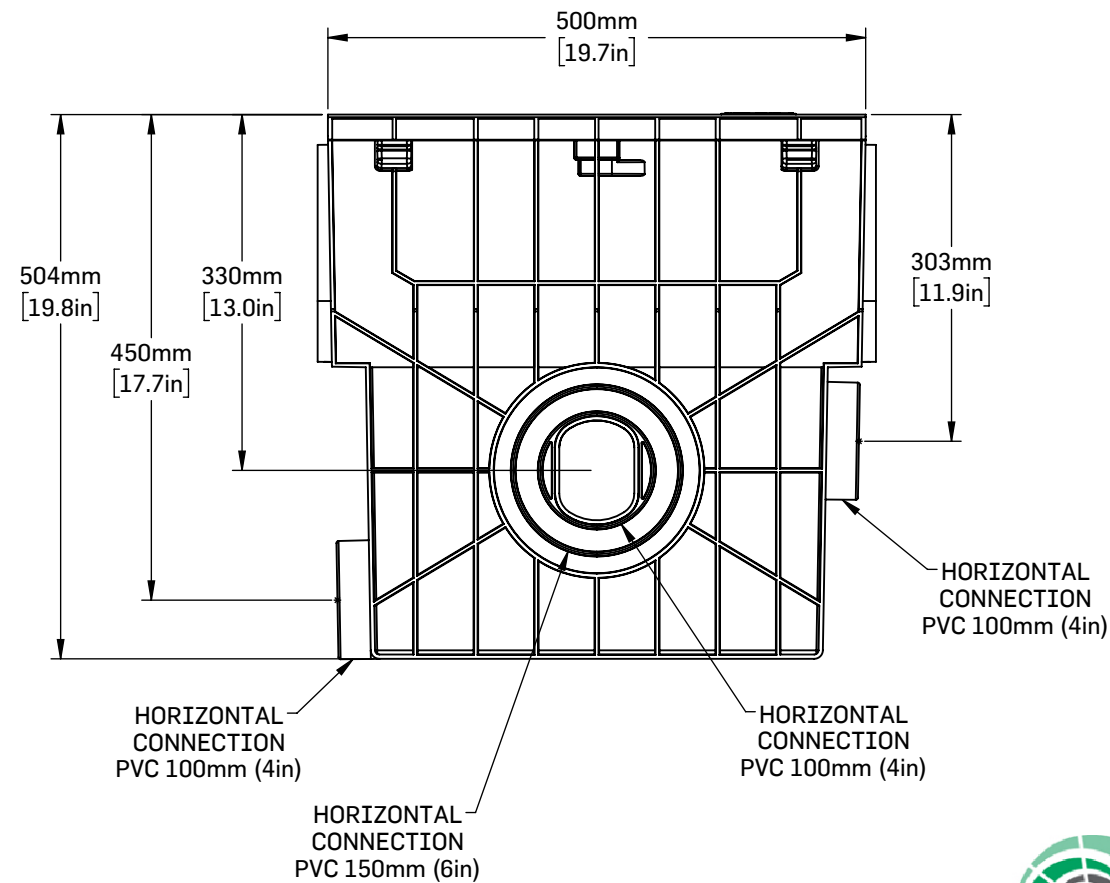


DETAIL A



NOTES:

1. The vertical drains of the RECYFIX and TOP X range comply with standard EN 1433.
2. The data are indicative only and may change without notice.
3. Documentation for Hauraton products distributed by Soleno is found at soleno.com.
4. For any questions, contact your Soleno representative.



SOLENO

Exclusive Canadian distributor of products



**VERTICAL DRAIN RECYFIX PRO
GALVANIZED STEEL GRATE
MESH GRATING 10x30 mm (1.2x0.4 in)
CL. B125**

06886 VERTICAL DRAIN RX PRO 100 GALVANIZED MESH GRATE 30X10mm B125

ITEM: HAU47052

REV 01.2023