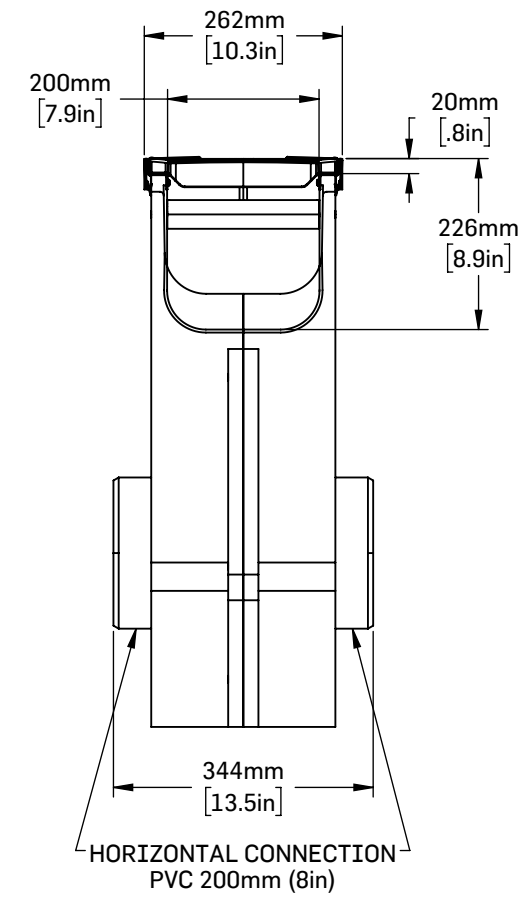
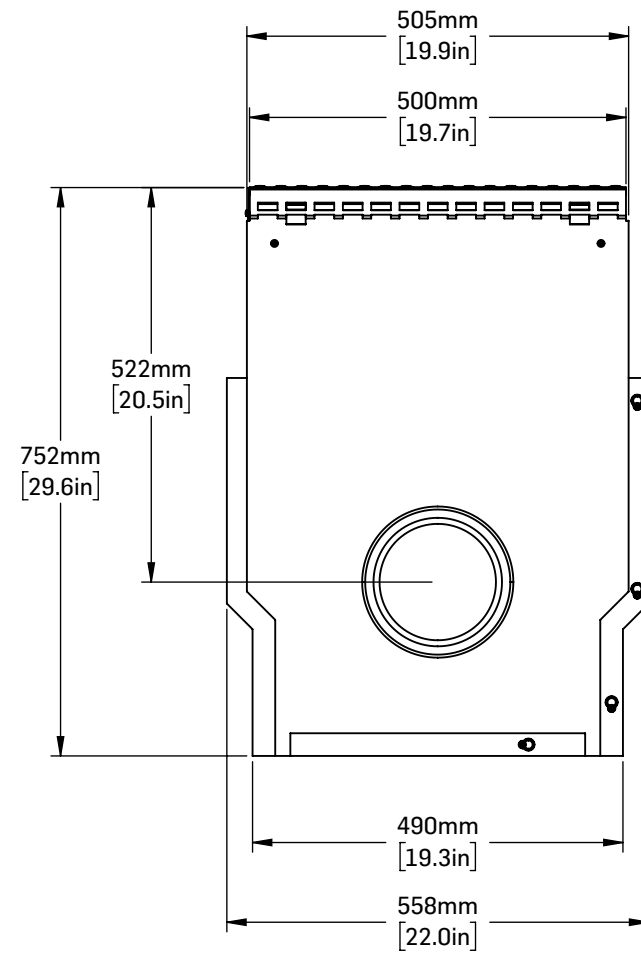


DETAIL A



NOTES:

1. The vertical drains of the RECYFIX and TOP X range comply with standard EN 1433.
2. The data are indicative only and may change without notice.
3. Documentation for Hauraton products distributed by Soleno is found at [soleno.com](http://soleno.com).
4. For any questions, contact your Soleno representative.



**VERTICAL DRAIN RECYFIX PRO**  
**POLYAMIDE GRATE**  
**SLOTTED 9 mm (0.4 in)**  
**CL. B125**

*06635 VERTICAL DRAIN RX PRO 200 BLACK PA GR. 9mm SLOT B125*

ITEM: HAU47253

REV 01.2023