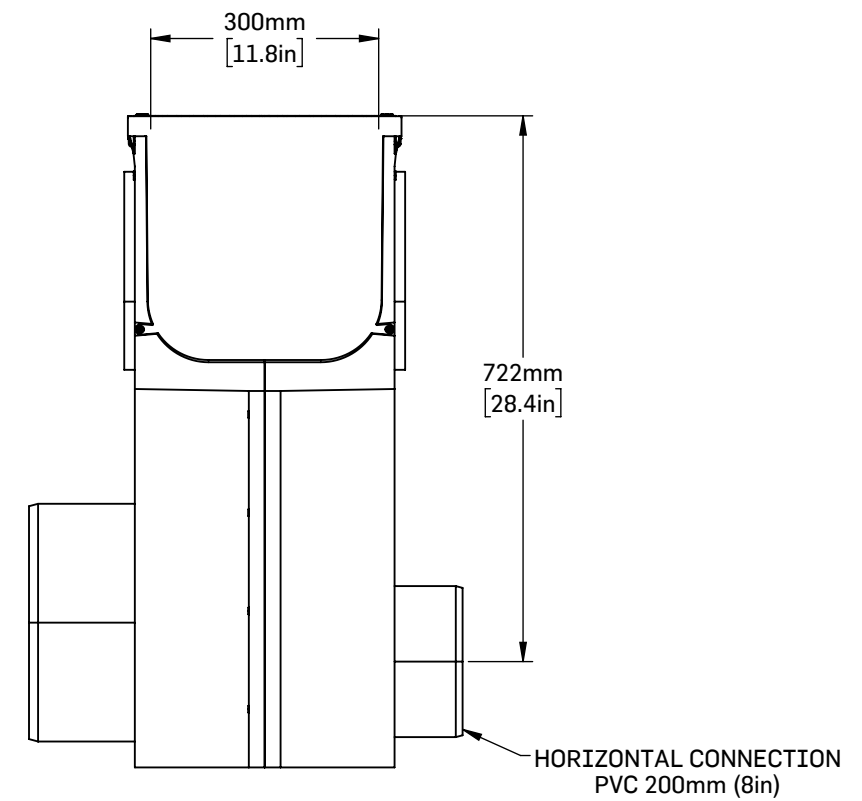
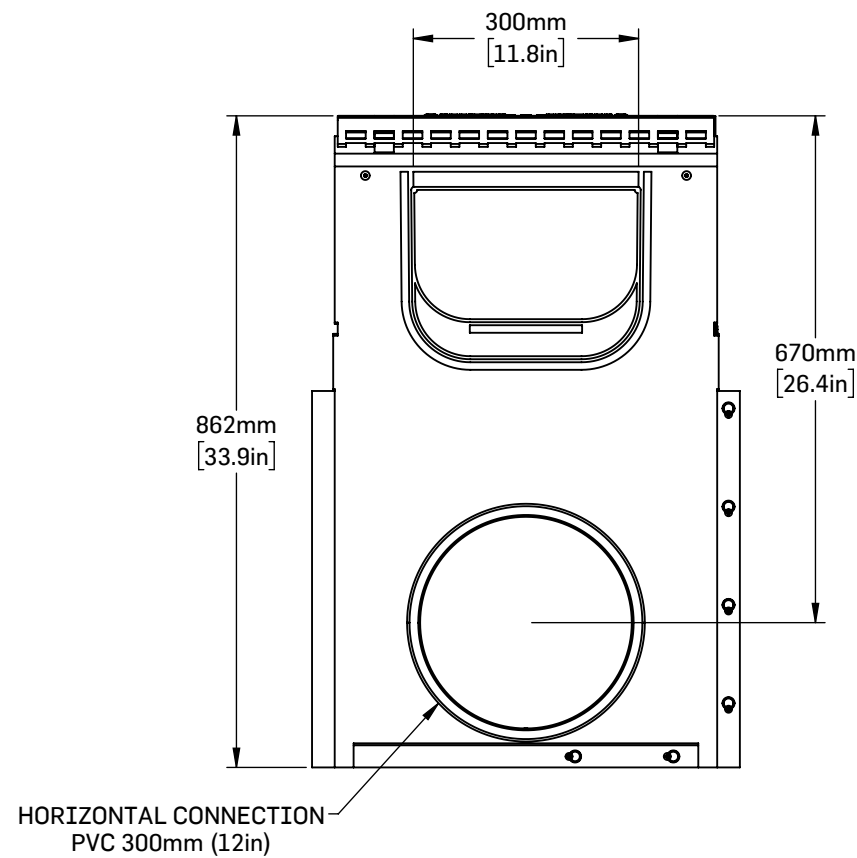


DETAIL A



NOTES:

1. The vertical drains of the RECYFIX and TOP X range comply with standard EN 1433.
2. The data are indicative only and may change without notice.
3. Documentation for Hauraton products distributed by Soleno is found at soleno.com.
4. For any questions, contact your Soleno representative.



VERTICAL DRAIN RECYFIX NC
CAST IRON GRATE
SLOTTED 18 mm (0.7 in)
CL. E600

06656 VERTICAL DRAIN RX NC300 DUCTILE IRON GR.18mm SLOT E600 DN315

ITEM: HAU32338

REV 01.2023