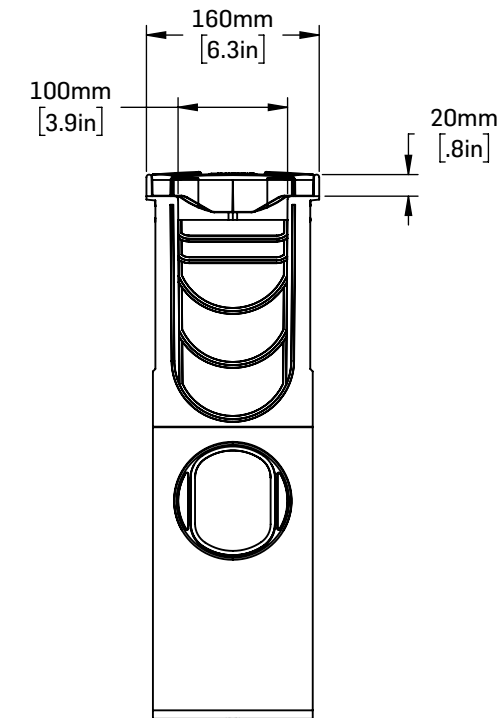
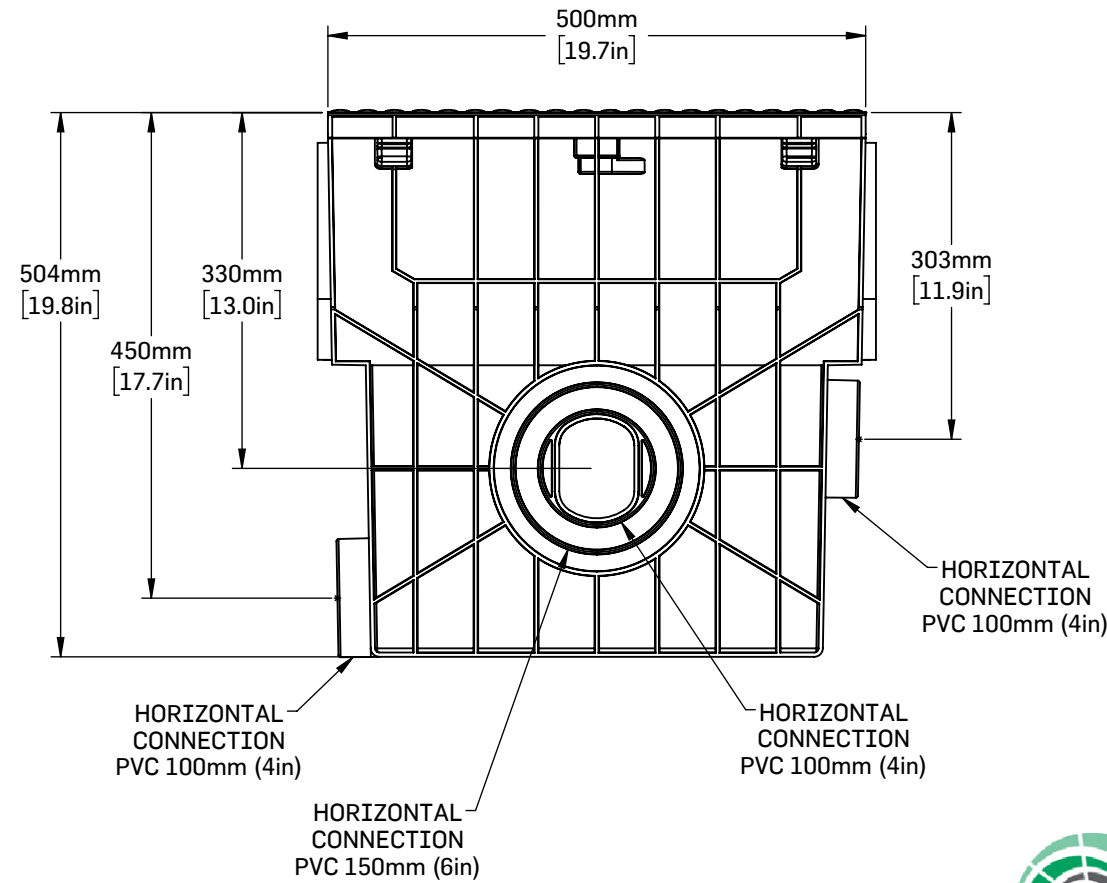


DETAIL A



NOTES:

1. The vertical drains of the RECYFIX and TOP X range comply with standard EN 1433.
2. The data are indicative only and may change without notice.
3. Documentation for Hauraton products distributed by Soleno is found at soleno.com.
4. For any questions, contact your Soleno representative.



SOLENO

Exclusive Canadian distributor of products



VERTICAL DRAIN RECYFIX PRO
POLYAMIDE GRATE
SLOTTED 9 mm (0.4 in)
CL. C250

06069 VERTICAL DRAIN RX PRO 100 BLACK PA GRATE 9mm SLOTS C250

ITEM: HAU47054

REV 01.2023