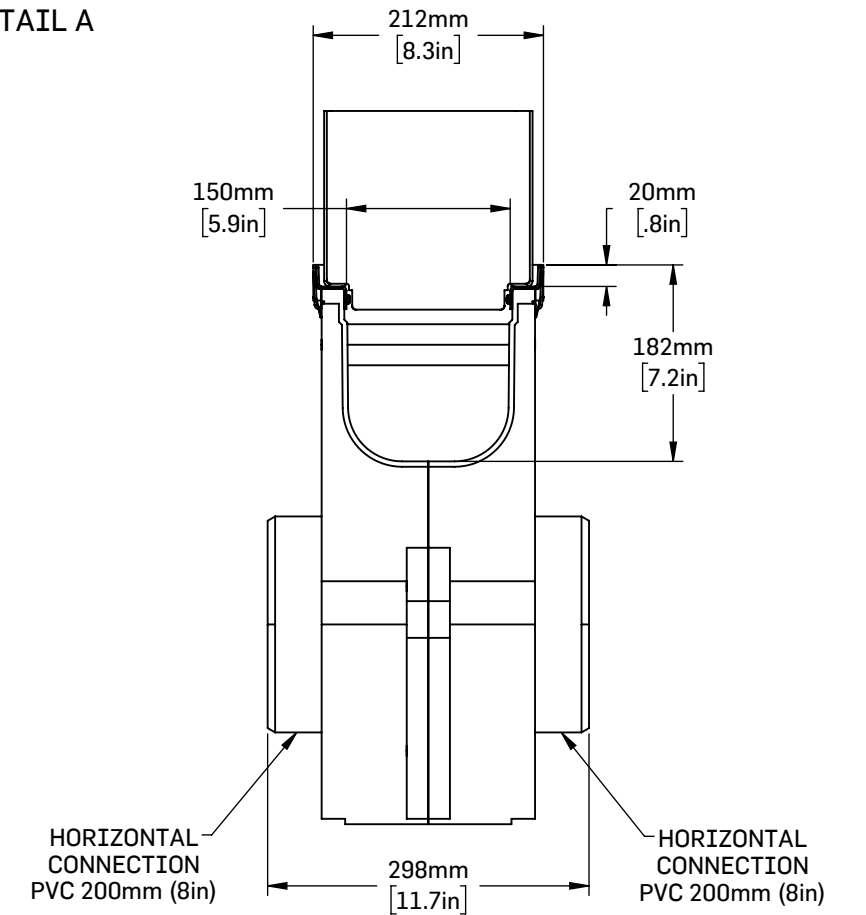
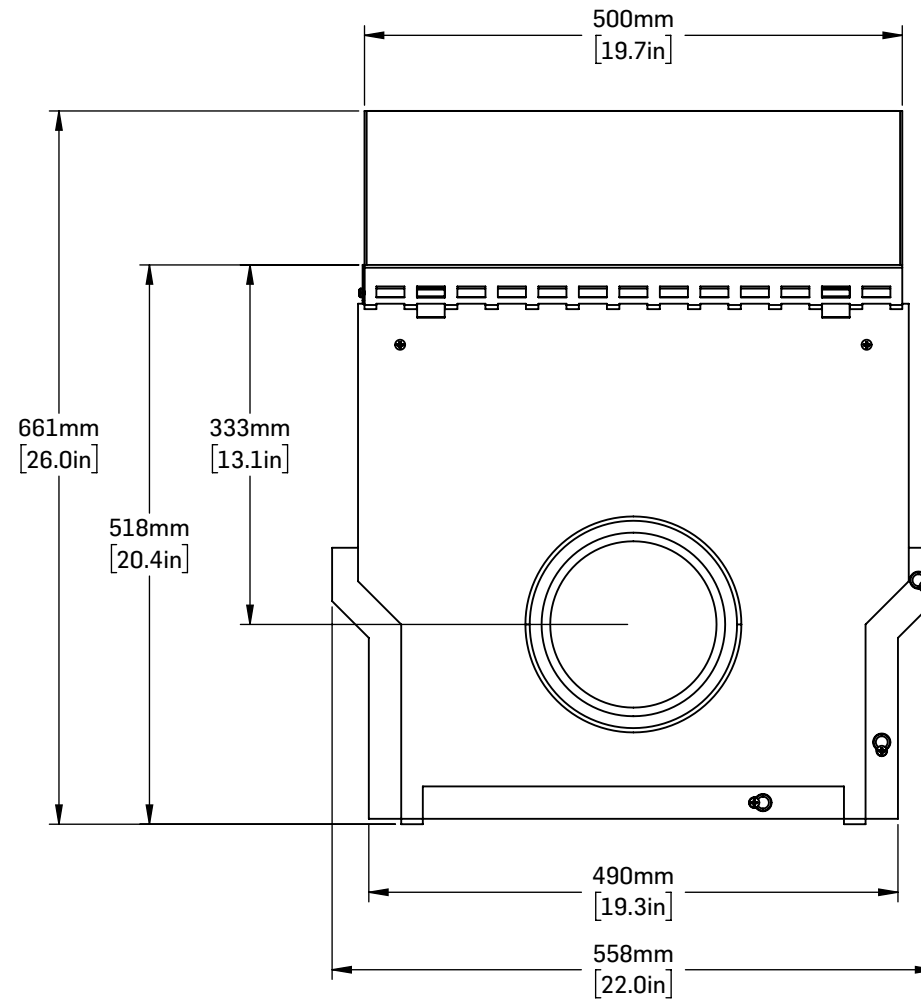


DETAIL A



NOTES:

1. The vertical drains of the RECYFIX and TOP X range comply with standard EN 1433.
2. The data are indicative only and may change without notice.
3. Documentation for Hauraton products distributed by Soleno is found at soleno.com.
4. For any questions, contact your Soleno representative.



SOLENO

Exclusive Canadian distributor of products



**VERTICAL DRAIN RECYFIX PRO
GALVANIZED STEEL COVER
ASSYM. LONGITUDINAL SLOT 12 mm (0.5 in)
CL. C250**

06884 + 06655 VERTICAL DRAIN RX PRO 150 GALV COV. ASSYM LONG. SLOT 12mm C250

ITEM: HAU47151 + HAU31115

REV 01.2023