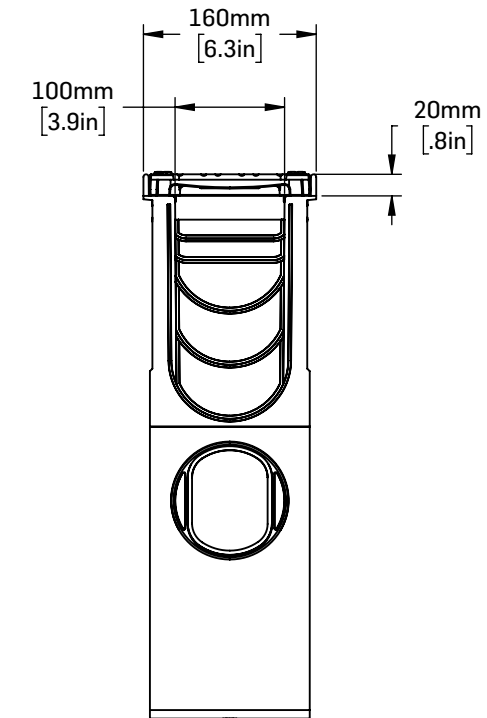
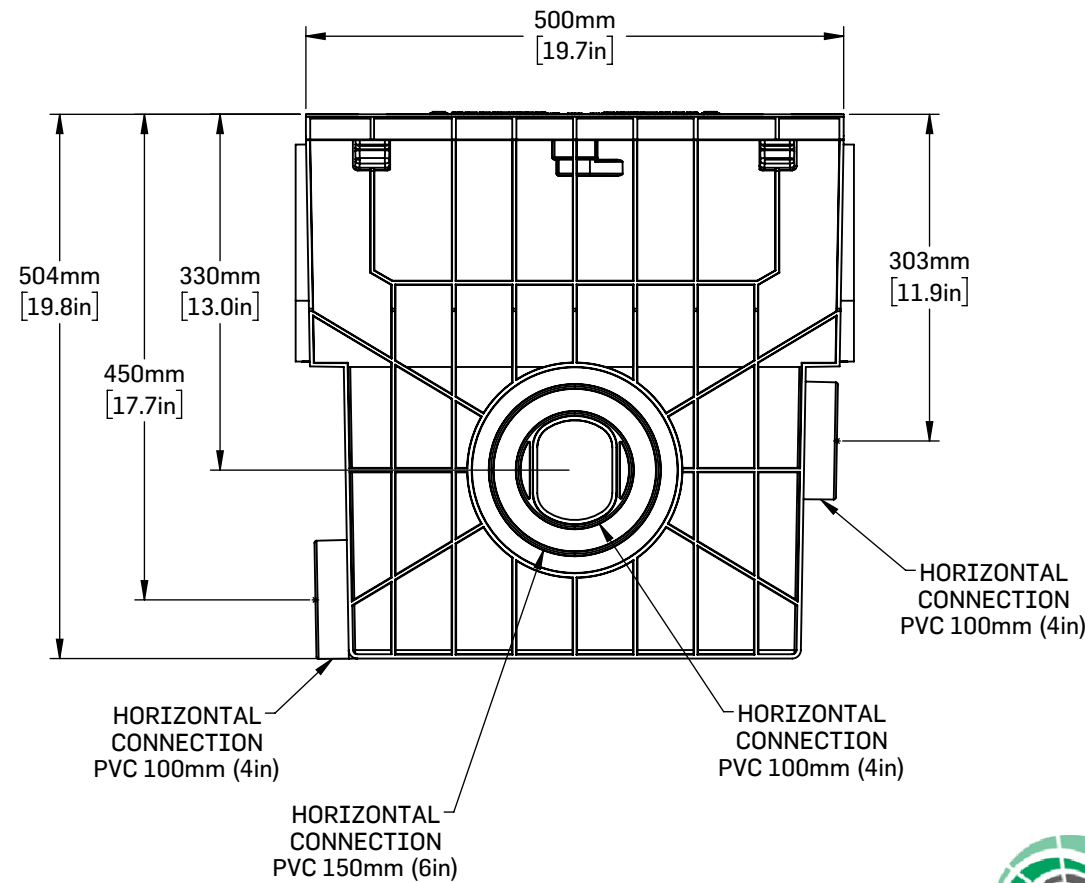


DETAIL A



NOTES:

1. The vertical drains of the RECYFIX and TOP X range comply with standard EN 1433.
2. The data are indicative only and may change without notice.
3. Documentation for Hauraton products distributed by Soleno is found at soleno.com.
4. For any questions, contact your Soleno representative.



SOLENO

Exclusive Canadian distributor of products



**VERTICAL DRAIN RECYFIX NC
 CAST IRON GRATE
 SLOTTED 10 mm (0.4 in)
 CL. E600**

06637 VERTICAL DRAIN RX NC 100 DUCTILE IRON GR. 10mm SLOT E600

ITEM: HAU48753

REV 01.2023