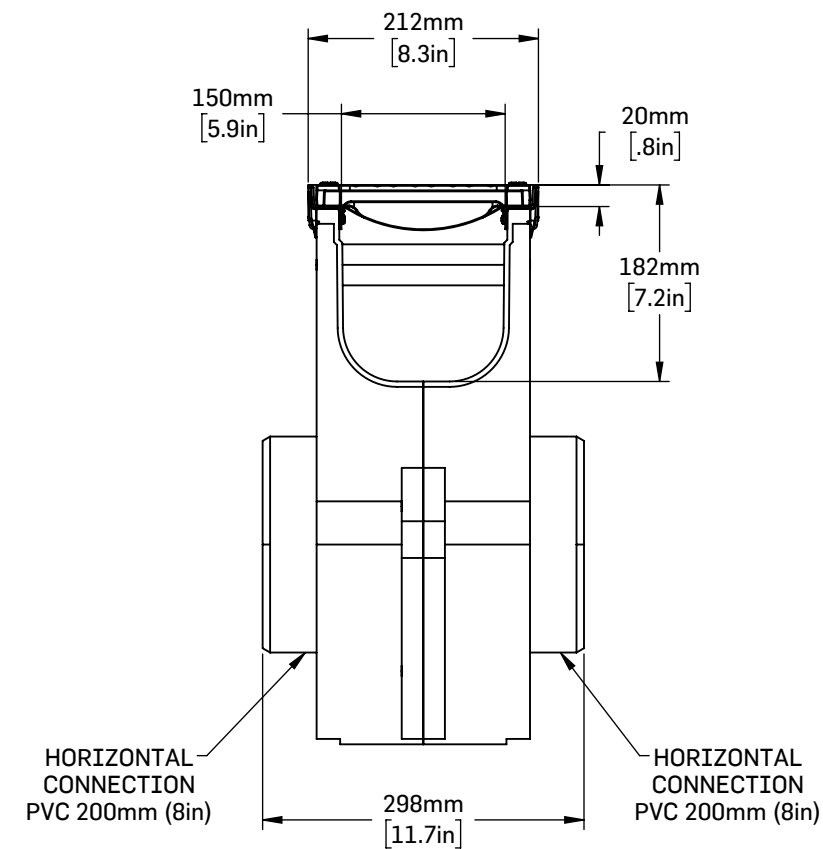
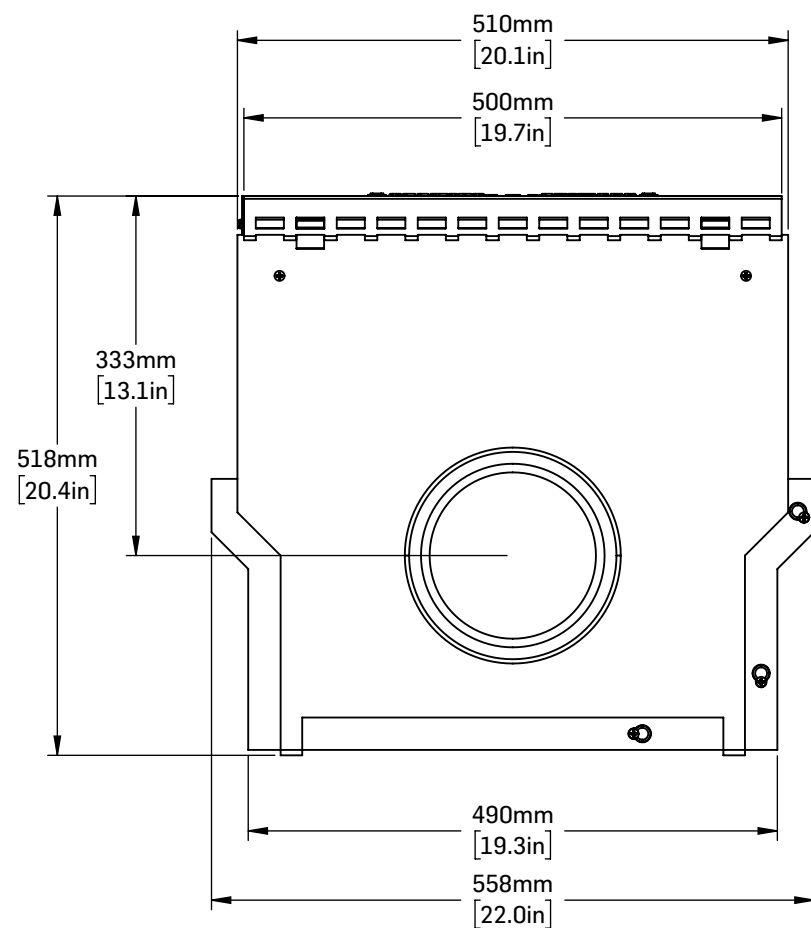


DETAIL A



NOTES:

1. The vertical drains of the RECYFIX and TOP X range comply with standard EN 1433.
2. The data are indicative only and may change without notice.
3. Documentation for Hauraton products distributed by Soleno is found at soleno.com.
4. For any questions, contact your Soleno representative.



VERTICAL DRAIN RECYFIX NC CAST IRON GRATE SLOTTED 18 mm (0.7 in) CL. E600		
<i>06882 VERTICAL DRAIN RX NC 150 DUCTILE IRON GRATE 18mm E600</i>		
ITEM: HAU48853	REV	01.2023